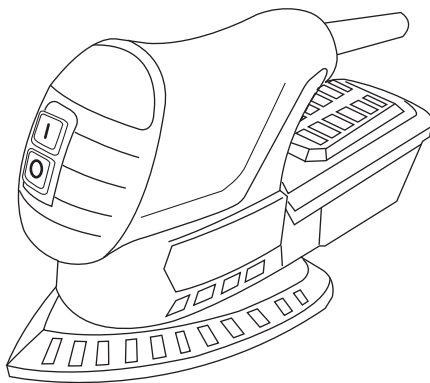




SD75

Mouse Sander
Lijadora Mouse
Ponceuse multifonctions
Schleifmaschine Mouse
Levigatrice mouse
Lixadeira Mouse
Τριβείο Mouse
Шлифовъчна машина тип
“Мишка”
ماكينه سنفرة esuoM





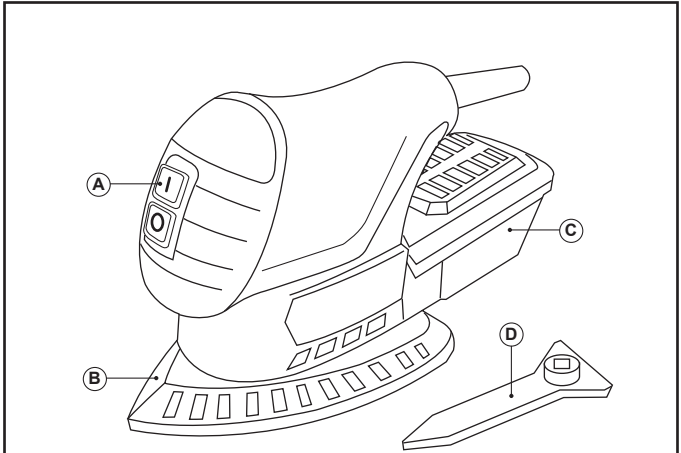
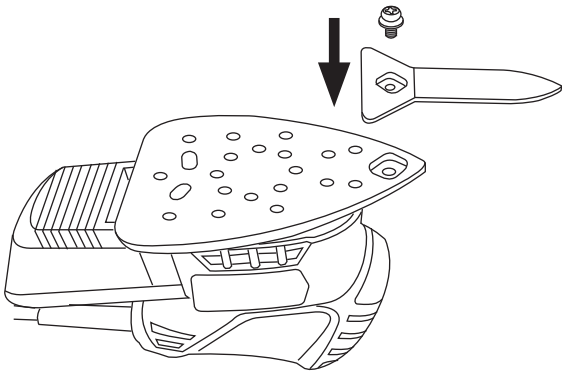


Fig.1



English

MOUSE SANDER

SD75

Dear Customer,

Many thanks for trusting to CASALS POWER TOOLS.

Thanks to its continuous effort, our innovation and the strictest quality controls, CASALS POWER TOOLS develops electric Power Tools for the toughest jobs.

GENERAL POWER TOOLS SAFETY WARNING

- **⚠ WARNING** Read all safety warnings and all instructions, illustrations and specifications provided with this power tool. *Failure to follow all instructions listed below may result in electric shock, fire and/or serious injury*
- *Save all warnings and instructions for future reference.*
- *The term "power tool" in the warnings refers to your mains-operated (corded) power tool or battery-operated (cordless) power tool.*

WORK AREA SAFETY

- *Keep work area clean and well lit. Cluttered or dark areas invite accidents*
- **Do not operate power tools in explosive atmospheres, such as in the presence of flammable liquids, gases or dust.** *Power tools create sparks which may ignite the dust or fumes*
- **Keep children and bystanders away while operating a power tool.** *Distractions can cause you to lose control.*

ELECTRICAL SAFETY

- **Power tool plugs must match the outlet. Never modify the plug in any way. Do not use any adapter plugs with earthed (grounded) power tools.** *Unmodified plugs and matching outlets*

will reduce risk of electric shock.

- **Avoid body contact with earthed or grounded surfaces, such as pipes, radiators, ranges and refrigerators.** *There is an increased risk of electric shock if your body is earthed or grounded.*
- **Do not expose power tools to rain or wet conditions.** *Water entering a power tool will increase the risk of electric shock.*
- **Do not abuse the cord. Never use the cord for carrying, pulling or unplugging the power tool. Keep cord away from heat, oil, sharp edges or moving parts.** *Damaged or entangled cords increase the risk of electric shock.*
- **When operating the power tool outdoors, use an extension cord suitable for outdoor use.** *Use a cord suitable for outdoor use reduces the risk of electric shock.*
- **If operating a power tool in a damp location is unavoidable, use a residual current device (RCD) protected supply.** *Use of an RCD reduces the risk of electric shock.*

PERSONAL SAFETY

- **Stay alert, watch what you are doing and use common sense when operating a power tool. Do not use a power tool while you are tired or under the influence of drugs, alcohol or medication.** *A moment of inattention while operating power tools may result in serious personal injury.*
- **Use personal protective equipment. Always wear eye protection.** *Protective equipment such as dust mask, non-skid safety shoes, hard hat, or hearing protection used for appropriated conditions will reduce personal injuries.*
- **Prevent unintentional starting. Ensure the switch is in the off-position before connecting the power source and/or battery pack, picking up or carrying the tool.** *Carrying power tools with your finger on the switch or energizing power tools that have the switch on invites accidents.*
- **Remove any adjusting key or wrench before turning the power tool on.** *A wrench or a key left attached to a rotating part of the power tool may result in personal injury.*
- **Do not overreach. Keep proper footing and balance at all**

times. *This enables better control of the power tool in unexpected situations.*

- **Dress properly. Do not wear loose clothing or jewellery. Keep your hair and clothing away from moving parts.** *Loose clothes, jewellery or long hair can be caught in moving parts.*
- **If devices are provided for the connection of dust extraction and collection facilities, ensure these are connected and properly used.** *Use of dust collection can reduce dust-related hazards.*
- **Do not let familiarity gained from frequent use of tools allow you to become complacent and ignore tool safety principles.** *A careless action can cause severe injury within a fraction of a second.*

POWER TOOL USE AND CARE

- **Do not force the power tool. Use the correct power tool for your application.** *The correct power tool will do the job better and safer at the rate for which it was designed.*
- **Do not use the power tool if the switch does not turn it on and off.** *Any power tool that cannot be controlled with the switch is dangerous and must be repaired.*
- **Disconnect the plug from the power source and/or battery pack, if detachable, from the power tool before making any adjustments, changing accessories, or storing power tools.** *Such preventive safety measures reduce the risk of starting the power tool accidentally.*
- **Store idle power tool out of the reach of children and do not allow persons unfamiliar with the power tool or these instructions to operate the power tool.** *Power tools are dangerous in the hands of untrained users.*
- **Maintain power tools and accessories. Check for misalignment or binding of moving parts, breakage of parts and any other condition that may affect the power tool's operation. If damaged, have the power tool repaired before use.** *Many accidents are caused by poorly maintained power tools.*
- **Keep cutting tools sharp and clean.** *Properly maintained cutting tools with sharp cutting edges are less likely to bind and are easier*

to control.

- **Use the power tool, accessories and tool bits etc in accordance with these instructions, taking into account the working conditions and the work to be performed.** *Use of the power tool for operations different from those intended could result in a hazardous situation.*
- **Keep handles and grasping surfaces dry, clean and free from oil and grease.** *Slippery handles and grasping surfaces do not allow for safe handling and control of the tool in unexpected situations.*

SERVICE

- **Have your power tool serviced by a qualified repair person using only identical replacement parts.** This will ensure that the safety of the power tool is maintained.
- Any misuse or failure to follow the instructions for use renders the guarantee and the manufacturer's liability null and void.

ADDITIONAL SAFETY WARNINGS

- **CAUTION:** In order to prevent overheating do not cover the appliance.
- Ensure that neither the air access nor exit become either totally or partially covered by drapery, clothing, etc., as this increases the risk of fire.
- Do not use the appliance if the cable or plug is damaged.
- Ensure that the voltage indicated on the rating label matches the mains voltage before plugging in the appliance.
- Connect the appliance to a socket that can supply a minimum of 16 amperes.
- Only use the appliance with the specific electric connector provided.
- If any of the appliance casings breaks, immediately disconnect the appliance from the mains to prevent the possibility of an electric shock.
- Do not use the appliance if it has fallen on the floor, if there are visible signs of damage or if it has a leak.

- CAUTION: Maintain the appliance dry.
- CAUTION: Do not use the appliance near water.
- Do not use the appliance with damp hands or feet, or when bare-footed.
- Do not wrap the power cord around the appliance.
- Do not clip or crease the power cord.
- Do not touch the plug with wet hands.
- Do not grind any material containing asbestos. Working with asbestos and/or silica wheel, the dust produced is harmful for health. Prevent inhalation of these types of dust by following the appropriate health and safety regulations.
- Protect yourself from contact with and the inhalation of dust created by sanding wood and metal surfaces and surfaces coated with lead paint. Use protective equipment that complies with the appropriate health and safety regulations.
- Exercise precaution after employing the stop operation on the appliance as the tool will continue moving from the effect of its own mechanical inertia.
- Fully unroll the appliance's power cable before each use.
- Check the position of power cables before commencing work ensuring they are well away from the work area.
- Keep hands and other body parts well away from the work area whilst the tool is in use.
- Do not use the appliance if its accessories are not properly fitted.
- Do not use the appliance if the accessories or consumables attached to it are defective. Replace them immediately.
- Unplug the appliance from the mains when not in use and before undertaking any cleaning task.
- This appliance is for household use only, not professional, industrial use.
- This appliance is intended for adult use. Ensure that this product is not used by the disabled, children or people unused to its handling.
- This appliance is not a toy. Children should be supervised to ensure that they do not play with the appliance.
- Do not expose the appliance to extreme temperatures.

- Do not expose to extreme temperatures or strong magnetism.
- Keep the appliance in a dry, dust-free place, out of direct sunlight.
- Always check the workpiece before operation and remove any obstructions such as nails, staples, screws, string, rags, cloths and other debris.
- Never rest the appliance into a surface while in use.
- Let the appliance running with no load for 30 seconds in a safe position. If you notice serious vibration or other defects stop the appliance immediately. Then check the problem and /or proceed as we describe on Anomalies and Repair clause.
- The appliance can be used on surfaces such as: wood, cardboard, plastic, plaster, etc.

DESCRIPTION

- A ON/OFF Switch
- B Baseplate
- C Dust tank
- D 'Finger' Base

If the model of your appliance does not have the accessories described above, they can also be bought separately from the Technical Assistance Service.

INSTRUCTIONS FOR USE

BEFORE USE:

- Make sure that all the product's packaging has been removed.
- Ensure that the voltage indicated on the rating label matches the mains voltage before plugging in the appliance.
- Always be sure that the tool is switched off and unplugged before carrying out any work on the tool.

FITTING THE ACCESSORIES

- Unplug the appliance from the mains.
- Push the sanding paper against the product, they unite by hook-and-loop system.

FITTING THE 'FINGER' BASE (FIG. 1)

- With the help of a screwdriver, remove the front cover of the base-plate and place the finger base on it.
- Tighten the screw to fix it and place the sanding paper accordingly.

DUST COLLECTION SYSTEM:

- Always use the appliance with the dust collector connected, inhaling dust is harmful to your health.
- Connect the adapter nozzle to the dust suction tank adapter (F).
- Be assured it doesn't fall by moving the appliance.
- To remove the tank, just pull it off.

USE:

- Unroll the cable completely before plugging it in.
- Connect the appliance to the mains.
- Assemble the sanding sheet.
- Turn the appliance on, by using the on/off switch.
- Place the appliance against the surface you want to work.
- Slowly move the appliance over the workpiece.
- Do not apply excessive pressure against the workpiece.
- Apply uniform sanding pressure against the workpiece to increase performance and working life of the sander and the sanding sheet.

ONCE YOU HAVE FINISHED USING THE APPLIANCE:

- Stop the appliance using the on/off switch.
- Unplug the appliance from the mains.
- Clean the appliance.

MAINTENANCE AND CARE

- **WARNING!** Always unplug the machine before carrying out work on it.
- The vents should always be kept clean and free of obstacles.
- Clean the machine thoroughly after each use. Blast the motor regularly with compressed air.
- Check that the mains lead is in good condition. If it is not, take it to an Official Service Centre to have it replaced.

CLEANING

- Disconnect the appliance from the mains and allow it to cool before undertaking any cleaning task.
- Clean the equipment with a damp cloth with a few drops of washing-up liquid and then dry.
- Do not use solvents, or products with an acid or base pH such as bleach, or abrasive products, for cleaning the appliance.
- Do not let water or any other liquid get into the air vents to avoid damage to the inner parts of the appliance.
- Never submerge the appliance in water or any other liquid or place it under running water.
- If the appliance is not in good condition of cleanliness, its surface may degrade and inexorably affect the duration of the appliance's useful life and could become unsafe to use.

SUPPLIES

- Always use original supplies, designed specifically for your appliance model.
- These supplies are available in specialist shops.

ANOMALIES AND REPAIR

- Take the appliance to an authorised technical support service if product is damaged or other problems arise. Do not attempt to disassemble or repair the appliance yourself as this may be dangerous.
- If the connection to the mains has been damaged, it must be replaced, take the appliance to an authorised technical support service. Do not attempt to disassemble or repair the appliance by yourself in order to avoid a hazard.

SPECIFICATIONS:

- Rated power 75 W
- Rated voltage 230 V~
- Rated Frequency 50Hz
- No load speed 11000rpm

- Weight: 0.9Kg
- Sound Pressure level (LpA) = 58dB(A), KpA = 3dB
- Sound Power level (LwA) = 69dB(A), KWA = 3dB
- Vibration= 3.15m/s^2 , $K=1.5\text{m/s}^2$
- NB: These specifications are subject to change without notice of purpose of improvement.
- NB: By virtue of the conditions of fabrication of this product, the maximum absorbed power can differ from that specified.
- NB: By virtue of the conditions of fabrication of this product, the maximum used power can differ from that specified.
- Measured sound level determined according EN 62841-1
- The vibration emission level given in this information sheet has been measured according EN 62841-1 and may be used to compare one tool with other. It may be used for a preliminary assessment of exposure
- The vibration value during actual use of the power tool can differ from the declared total value depending on the way in which tool is used
- It's necessary identify safety measures to protect the operator that are based on an estimation of exposure in the actual conditions of use (taking account of all parts of the operating cycle such as the times when the tool is switched off and when it is running idle in addition to the trigger time).



FOR EU PRODUCT VERSIONS AND/OR IN CASE THAT IT IS REQUESTED IN YOUR COUNTRY:

ECOLOGY AND RECYCLABILITY OF THE PRODUCT

- The materials of which the packaging of this appliance consists are included in a collection, classification and recycling system. Should you wish to dispose of them, use the appropriate public recycling bins for each type of material.



This symbol means that in case you wish to dispose of the product once its working life has ended, take it to an authorised waste agent for the selective collection of Waste from Electric and Electronic Equipment (WEEE).

| | |
|---|---|
|  | This symbol means that user must to consult safety warnings and instructions thoroughly before use. |
|  | This symbol means that tool is class II |

CE DECLARATION OF CONFORMITY

- We hereby declare, under our own responsibility, that the CASALS products described in this manual SD75 comply with the following standards: EN 62841-1, EN 62841-2-4:2014, EN 55014-1, EN 55014-2, EN 61000-3-2, EN 61000-3-3 and EN 62321 in accordance with EU Directives 2006/42/EC, 2014/30/EU and 2011/65/EU.

Signed: A. Martí

Engineering manager for Casals Power Tools



Oliana, 28/03/2019
Av. Barcelona, S/N
25790 Oliana, Lleida, Spain





Español

LIJADORA MOUSE

G8 75

Distinguido cliente,

Le agradecemos su confianza en CASALS POWER TOOLS.

Gracias a su continuo esfuerzo e innovación, junto con el hecho de superar los más estrictos controles de calidad, CASALS POWER TOOLS desarrolla potentes herramientas eléctricas para los trabajos más duros.

ADVERTENCIAS DE SEGURIDAD GENERALES PARA HERRAMIENTAS ELÉCTRICAS

- **⚠ ATENCIÓN** Lea todas las advertencias de seguridad, instrucciones, ilustraciones y especificaciones que acompañan a esta herramienta eléctrica. El incumplimiento de las instrucciones descritas a continuación podría provocar una descarga eléctrica, un incendio y/o lesiones graves
- Guarde todas las advertencias e instrucciones para futuras consultas.
- El término "herramienta eléctrica" empleado en las advertencias se refiere tanto a las herramientas eléctricas con alimentación por red (con cable) como a las alimentadas por batería (sin cable).

SEGURIDAD DEL PUESTO DE TRABAJO

- **Mantenga el área de trabajo limpia y bien iluminada.** *Las áreas desordenadas y oscuras son propensas a que ocurran accidentes*
- **No utilice herramientas eléctricas en entornos que puedan presentar un riesgo de explosión, como por ejemplo al trabajar cerca de líquidos, gases o polvos inflamables.** *Las herramientas eléctricas producen chispas, que pueden encender*

el polvo o los gases

- **No permita que se acerquen niños ni otras personas mientras utiliza una herramienta eléctrica.** *Las distracciones pueden hacerle perder el control.*

SEGURIDAD ELÉCTRICA

- **Los enchufes de la herramienta eléctrica deben ser adecuados para la toma de corriente utilizada. Nunca modifique el enchufe de ninguna forma. No utilice adaptadores para herramientas eléctricas provistas de una toma de tierra (masa).** *Si se utilizan enchufes sin modi.car y adecuados para las tomas de corriente utilizadas se reduce el riesgo de sufrir descargas eléctricas.*
- **Evite que su cuerpo toque partes conectadas a tierra como tuberías, radiadores, cocinas y refrigeradores.** *El riesgo a sufrir descargas eléctricas es mayor si su cuerpo tiene contacto con tierra.*
- **No exponga las herramientas eléctricas a la lluvia ni a la humedad.** *Si penetra agua en una herramienta eléctrica aumentará el riesgo de descargas eléctricas.*
- **No fuerce el cable. No utilice el cable de red para transportar o colgar la herramienta eléctrica, ni tire de él para desenchufarla. Mantenga el cable de red alejado de fuentes de calor, aceite, bordes afilados o piezas móviles.** *Los cables de red dañados o enredados aumentan el riesgo de sufrir descargas eléctricas.*
- **Cuando trabaje con la herramienta eléctrica al aire libre, utilice un cable de prolongación adecuado para el uso en exteriores.** *La utilización de un cable de prolongación adecuado para el uso en exteriores reduce el riesgo de sufrir descargas eléctricas.*
- **Si debe utilizarse la herramienta eléctrica en una zona húmeda, conéctela a una fuente de alimentación equipada con un interruptor diferencial de seguridad.** *El uso de un interruptor diferencial reduce el riesgo de sufrir descargas eléctricas.*

SEGURIDAD PERSONAL

- **Permanezca alerta, vigile sus acciones y utilice el sentido común cuando trabaje con una herramienta eléctrica. No utilice una herramienta eléctrica si se encuentra cansado o bajo la influencia de drogas, alcohol o medicamentos.** *Un instante de descuido mientras trabaja con herramientas eléctricas puede provocar lesiones personales graves.*
- **Utilice un equipo de protección personal. Utilice siempre protección ocular.** *Usar elementos tales como máscara antipolvo, zapatos con suela antideslizante de seguridad, casco o protección auditiva, en las condiciones apropiadas, ayuda a reducir el riesgo de posibles lesiones.*
- **Evite una puesta en marcha fortuita. Compruebe que el interruptor esté en posición de apagado antes de conectar la herramienta a la corriente y/o a la batería, así como antes de recogerla o transportarla.** *Transportar las herramientas eléctricas con el dedo en el interruptor, o conectarlas a la corriente con el gatillo en posición de encendido, conlleva un grave riesgo de accidentes.*
- **Retire las herramientas de ajuste o llaves fijas antes de activar la herramienta eléctrica.** *Una herramienta de ajuste o llave ya colocada en una pieza giratoria de la herramienta eléctrica puede provocar lesiones personales.*
- **No trabajar a una distancia excesiva. Mantenga en todo momento una postura firme y equilibrada.** *Ello le permitirá controlar mejor la herramienta eléctrica en caso de presentarse una situación inesperada.*
- **Vista de forma adecuada. No utilice ropas holgadas ni joyas. Mantenga el pelo y la ropa alejados de las partes móviles.** *Las ropas holgadas, las joyas o los cabellos largos pueden quedar atrapados en las partes móviles.*
- **Si se incluyen dispositivos para la conexión de accesorios de extracción y recogida de polvo, compruebe que estén bien conectados y que se utilizan correctamente.** *El uso de un accesorio de recogida de polvo puede reducir los peligros relacionados con la presencia de polvo.*

- Aunque esté familiarizado con el uso de las herramientas eléctricas, no se confíe hasta el punto de no tener en cuenta los principios de seguridad de la herramienta. *Un descuido puede provocar lesiones graves en un instante.*

UTILIZACIÓN Y MANTENIMIENTO DE LAS HERRAMIENTAS ELÉCTRICAS

- **No fuerce la capacidad de trabajo de la herramienta eléctrica. Utilice la herramienta eléctrica adecuada para cada aplicación.** *La herramienta eléctrica correcta hará un trabajo mejor y más seguro, acorde con la finalidad para la que fue diseñada.*
- **No utilice la herramienta eléctrica si el interruptor de activación/desactivación no funciona.** *Las herramientas eléctricas que no puedan controlarse con el interruptor son peligrosas y deben repararse.*
- **Desconecte el enchufe de la fuente de alimentación y/o retire la batería de la herramienta eléctrica, si es desmontable, antes de realizar ajustes, cambiar accesorios o almacenar las herramientas eléctricas.** *Aplicando estas medidas de seguridad se reduce el riesgo de poner en marcha la herramienta eléctrica de manera accidental.*
- **Guarde las herramientas eléctricas fuera del alcance de los niños, y no permita su utilización a personas que no estén familiarizadas con su uso o que no hayan leído estas instrucciones.** *Las herramientas eléctricas utilizadas por personas inexpertas son peligrosas.*
- **Conserve en buen estado las herramientas eléctricas y sus accesorios. Compruebe el correcto ajuste y la sujeción de las piezas móviles, posibles roturas y otros condicionantes que puedan afectar al funcionamiento de la herramienta eléctrica. Si está dañada, la herramienta eléctrica debe hacerse reparar antes de usarla.** *Muchos accidentes se producen debido a un mantenimiento insu.ciente de las herramientas eléctricas.*
- **Mantener las herramientas de corte afiladas y limpias.** *Unas herramientas de corte en buen estado, con unos bordes bien a.lados son más difíciles de doblar y se controlan mejor.*
- **Utilice la herramienta eléctrica, accesorios, útiles, etc. siguiendo**

do estas instrucciones, considerando las condiciones de trabajo y la tarea a realizar. El uso de herramientas eléctricas para trabajos diferentes de aquellos para los que han sido concebidas puede resultar peligroso.

- **Mantenga las empuñaduras y las superficies de sujeción secas, limpias y libres de aceite y grasa. Si las empuñaduras y las superficies de sujeción están resbaladizas no permiten controlar adecuadamente la herramienta en situaciones imprevistas.**

MANTENIMIENTO

- **Haga reparar su herramienta eléctrica por un profesional, empleando exclusivamente piezas de repuesto originales. Así se garantiza el mantenimiento de la seguridad de la herramienta eléctrica.**
- **Toda utilización inadecuada o que no siga las instrucciones de uso comportará la anulación de la garantía y de la responsabilidad del fabricante.**

ADVERTENCIAS DE SEGURIDAD ADICIONALES

- **ADVERTENCIA:** Para evitar sobrecalentamientos, no cubra el aparato.
- Evite que tanto la entrada como la salida de aire queden total o parcialmente tapadas por muebles, cortinajes, ropas, etc., ya que aumentaría el riesgo de incendio.
- No utilice el aparato si el cable eléctrico o el enchufe están dañados.
- Antes de conectar el aparato a la red, compruebe que el voltaje indicado en la placa de características coincide con el voltaje de red.
- Conecte el aparato a una toma de corriente que soporte como mínimo 16 amperios.
- Utilice el aparato solamente con el conector eléctrico específico suministrado.
- Si se rompe alguna de las carcasas del aparato, desconéctelo inmediatamente de la red eléctrica para evitar la posibilidad de sufrir una descarga eléctrica.
- No utilice el aparato si se ha caído al suelo, si se aprecian señales

visibles de daños o si se observan fugas.

- ADVERTENCIA: Mantenga el aparato seco.
- ADVERTENCIA: No utilice el aparato cerca del agua.
- No utilice el aparato con las manos o los pies húmedos, ni con los pies descalzos.
- No enrolle el cable eléctrico alrededor del aparato.
- No deje que el cable eléctrico quede atrapado o arrugado.
- No toque el enchufe con las manos mojadas.
- No esmerilar material que contenga amianto. El polvo generado al trabajar con materiales de amianto y/o piedras de sílice es perjudicial para la salud. Debe protegerse de la inhalación de este tipo de polvo siguiendo la normativa de prevención de riesgos y accidentes.
- Protegerse del contacto e inhalación de polvo procedente del lijado de superficies de madera, de metal o pintadas con pinturas al plomo. Utilice los medios de protección adecuados a la normativa aplicable sobre prevención de riesgos.
- Tenga cuidado después de detener el aparato, ya que la herramienta seguirá girando por efecto de su inercia mecánica.
- Antes de cada uso, desenrolle completamente el cable de alimentación del aparato.
- Compruebe la posición de los cables de alimentación antes de empezar a trabajar, asegurándose de que están suficientemente alejados de la zona de trabajo.
- Mantenga las manos y otras partes del cuerpo alejadas de la zona de trabajo mientras esté utilizando la herramienta.
- No utilice el aparato si sus accesorios no están debidamente acoplados.
- No utilice el aparato si los accesorios o consumibles acoplados a él presentan defectos. Sustitúyalos inmediatamente.
- Desenchufe el aparato de la red eléctrica cuando no se use y antes de realizar cualquier operación de limpieza.
- Este aparato está pensado únicamente para un uso doméstico, no para uso profesional ni industrial.
- Este aparato está diseñado para su uso por parte de personas

- adultas. No permita que lo utilicen personas no familiarizadas con este tipo de producto, personas discapacitadas o niños.
- Este aparato no es un juguete. Preste atención a los niños y asegúrese de que no juegan con el aparato.
 - No exponer el aparato a temperaturas extremas.
 - No exponga el aparato a temperaturas extremas ni a campos magnéticos intensos.
 - Guarde el aparato en un lugar seco, sin polvo y alejado de la luz del sol.
 - Compruebe siempre la pieza de trabajo antes de utilizar el aparato y retire posibles obstrucciones tales como clavos, grapas, tornillos, cuerdas, jirones, retales de ropa y otros restos de materiales.
 - No dejar el aparato en marcha reposando encima de una superficie.
 - Deje en marcha el aparato sin carga durante 30 segundos y en una posición segura. Pare inmediatamente el aparato si percibe una vibración considerable o si detecta cualquier otro defecto. A continuación, compruebe cuál es el problema y/o proceda de la forma descrita en el apartado de Anomalías y Reparaciones.
 - El aparato puede trabajar en superficies tales como: madera, cartón, plástico, yeso, etc.

DESCRIPCIÓN

- A Interruptor de activación/desactivación
- B Placa base
- C Depósito para polvo
- D Base con forma de dedo

En caso de que su modelo de aparato no disponga de los accesorios descritos anteriormente, éstos también pueden adquirirse por separado en los Servicios de Asistencia Técnica.

INSTRUCCIONES DE USO

NOTAS PREVIAS AL USO:

- Compruebe que ha retirado todo el material de embalaje del producto.

- Antes de conectar el aparato a la red, compruebe que el voltaje indicado en la placa de características coincide con el voltaje de red.
- Compruebe siempre que la herramienta esté desactivada y desconectada antes de realizar cualquier operación.

MONTAJE DE LOS ACCESORIOS

- Desenchufe el aparato de la red eléctrica.
- Presione el papel de lija contra el producto para que queden unidos mediante un sistema de cierre por contacto.

MONTAR LA BASE CON FORMA DE DEDO (FIG. 1)

- Con la ayuda de un destornillador, retire la cubierta frontal de la placa base y coloque la base con forma de dedo sobre ella.
- Apriete el tornillo para fijarla y coloque el papel de lija según corresponda.

SISTEMA DE RECOGIDA DE POLVO:

- Utilice siempre el aparato con el recolector de polvo conectado, la inhalación de polvo es perjudicial para la salud.
- Conecte la boquilla del adaptador al adaptador del depósito de aspiración del polvo (F).
- Compruebe que no se caiga moviendo el aparato.
- Para retirar el depósito, simplemente extráigalo tirando de él.

USO:

- Desenrolle completamente el cable antes de enchufar el aparato.
- Conecte el aparato a la red eléctrica.
- Coloque la hoja de lijado.
- Ponga en marcha el aparato, utilizando el interruptor de activación/desactivación.
- Coloque el aparato contra la superficie en la que desea trabajar.
- Mueva lentamente el aparato sobre la pieza de trabajo.
- No aplique demasiada presión contra la pieza de trabajo.
- Aplique una presión de lijado uniforme contra la pieza de trabajo para conseguir unos buenos resultados y aumentar la vida útil de la lijadora y de la hoja de lijado.

UNA VEZ FINALIZADO EL USO DEL APARATO:

- Pare el aparato con el interruptor de activación/desactivación.
- Desenchufe el aparato de la red eléctrica.
- Limpie el aparato.

MANTENIMIENTO Y CUIDADOS

- ¡ATENCIÓN! Desconecte siempre el enchufe antes de llevar a cabo cualquier trabajo en la máquina.
- Las ranuras de ventilación deben mantenerse siempre limpias y sin obstáculos.
- Limpie esmeradamente la máquina después de utilizarla. Sople regularmente el motor con aire a presión.
- Compruebe que el cable de alimentación se encuentre en buen estado. En caso contrario, acuda a un centro de servicio técnico oficial para que lo sustituyan.

LIMPIEZA

- Desconecte el aparato de la red eléctrica y déjelo enfriar antes de iniciar cualquier operación de limpieza.
- Limpie el aparato con un paño húmedo impregnado con unas gotas de detergente y séquelo a continuación.
- No utilice disolventes, ni productos con un factor pH ácido o básico como la lejía, ni productos abrasivos, para la limpieza del aparato.
- No permita que penetre agua ni ningún otro líquido por las aberturas de ventilación para evitar daños en las partes operativas interiores del aparato.
- Nunca sumerja el aparato en agua ni en ningún otro líquido, ni lo ponga debajo del grifo.
- Si el aparato no se mantiene en buen estado de limpieza su superficie puede deteriorarse, reduciendo notablemente su vida útil e incluso provocando que su uso resulte poco seguro.

CONSUMIBLES

- Utilice siempre consumibles originales, diseñados específicamente para este modelo de aparato.
- Podrá adquirir este tipo de consumibles en tiendas especializadas.

ANOMALÍAS Y REPARACIÓN

- Si el aparato está averiado o se observan otros problemas, llévalo a un Servicio de Asistencia Técnica autorizado. No intente desmontarlo o repararlo ya que puede existir peligro.
- Si la conexión a la corriente está dañada, debe sustituirse. Lleve el aparato a un servicio de asistencia técnica autorizado. No intente desmontarlo o repararlo ya que puede existir peligro.

CARACTERÍSTICAS:

- Potencia nominal 75 W
- Voltaje nominal 230 V~
- Frecuencia nominal 50 Hz
- Velocidad en vacío 11 000 rpm
- Peso: 0,9 kg
- Nivel de presión sonora (LpA) = 58 dB(A), KpA = 3 dB
- Nivel de potencia sonora (LwA) = 69 dB(A), KwA = 3 dB
- Vibración = 3,15 m/s², K = 1,5 m/s²
- Nota: Estas características pueden estar sujetas a cambios sin previo aviso, debido a mejoras en el producto.
- Nota: Debido a las condiciones de fabricación de este producto, la potencia máxima de absorción puede variar respecto a la especificada.
- Nota: Debido a las condiciones de fabricación de este producto, la potencia máxima de utilización puede variar respecto a la especificada.
- Nivel de presión sonora medido conforme a la norma EN 62841-1.
- El nivel de emisión de vibraciones facilitado en esta hoja de características ha sido medido de conformidad con la norma EN 62841-1 y puede utilizarse para comparar una herramienta con otra. Puede usarse como valoración preliminar de exposición
- La emisión de vibraciones durante el uso real de la herramienta eléctrica puede variar del valor total declarado en función del tipo de uso que se haga
- Es necesario identificar las medidas de seguridad para la protección del operario basadas en una estimación de las exposiciones

en condiciones reales de uso (teniendo en cuenta todas las partes del ciclo operativo así como las veces que se desconecta el aparato y cuando está en reposo, además del tiempo de activación.

PARA PRODUCTOS DE LA UNIÓN EUROPEA Y/O EN CASO DE QUE ASÍ LO EXIJA LA NORMATIVA EN SU PAÍS DE ORIGEN: ECOLOGÍA Y RECICLABILIDAD DEL PRODUCTO

- Los materiales que constituyen el envase de este aparato, están integrados en un sistema de recogida, clasificación y reciclado de los mismos. Si desea deshacerse de ellos, puede utilizar los contenedores públicos apropiados para cada tipo de material.



Este símbolo significa que si desea deshacerse del producto, una vez transcurrida la vida del mismo, debe depositarlo por los medios adecuados a manos de un gestor de residuos autorizado para la recogida selectiva de Residuos de Aparatos Eléctricos y Electrónicos (RAEE).



Este símbolo significa que el usuario debe estudiar minuciosamente las advertencias de seguridad y las instrucciones del aparato antes de usarlo.



Este símbolo significa que la herramienta es de clase II.



DECLARACIÓN DE CONFORMIDAD

- Declaramos bajo nuestra sola responsabilidad que los productos marca CASALS descritos en este manual ÛÖ75 están en conformidad con las normas o documentos normalizados siguientes: EN 62841-1, EN 62841-2-4:2014, EN 55014-1, EN 55014-2, EN 61000-3-2, EN 61000-3-3 y EN 62321 de acuerdo con las directivas europeas 2006/42/EC, 2014/30/EU y 2011/65/EU.

Firmado

A. Martí V^!*

Director de ingeniería de Casals Power Tools

A handwritten signature in black ink, consisting of several overlapping loops and a final flourish extending to the right.

Oliana, 21 ~~08100~~

Av. Barcelona, s/n.

25790 Oliana, Lleida, España

Français

PONCEUSE MULTIFONCTIONS

G8 75

Cher Client,

Nous vous remercions de votre confiance en CASALS POWER TOOLS.

Grâce aux efforts et à sa fonctionnalité innovatrice, s'ajoutant au fait qu'elle répond amplement aux normes de qualité les plus strictes, CASALS POWER TOOLS développe différents outils électriques qui résistent aux travaux les plus dures.

AVERTISSEMENTS DE DANGERS GÉNÉRAUX POUR LES OUTILS ÉLECTRIQUES

- **⚠ AVERTISSEMENT** Lire tous les avertissements, instructions, illustrations et spécifications de sécurité joints à cet outil électrique. *Le non-respect des instructions ci-dessous peut entraîner un choc électrique, un incendie et/ou une blessure sérieuse*
- *Conservez tous les avertissements et toutes les instructions a.n de vous y reporter dans le futur.*
- *Le terme « outil électrique » employé dans le présent manuel se réfère à votre outil électrique (.laire) fonctionnant sur secteur ou à votre outil électrique (sans .ls) fonctionnant avec batterie.*

SÉCURITÉ DE LA ZONE DE TRAVAIL

- **Veiller à maintenir l'espace de travail propre et bien éclairé.** *Les espaces encombrés ou sombres sont propices aux accidents*
- **Ne pas faire fonctionner les outils électriques dans une atmosphère explosive, par exemple en présence de liquides inflammables, de gaz ou de poussières.** *Les outils électriques produisent des étincelles qui peuvent en.ammer les poussières ou les fumées*

- **Maintenir les enfants et les personnes présentes à l'écart pendant l'utilisation de l'outil.** *Les distractions peuvent vous faire perdre le contrôle de l'outil.*

SÉCURITÉ ÉLECTRIQUE

- **Les fiches de l'outil électrique doivent être adaptées au socle. Ne jamais modifier la fiche de quelque façon que ce soit. Ne pas utiliser d'adaptateurs avec des outils à branchement de terre.** *Des fiches non modifiées et des socles adaptés réduiront le risque de choc électrique.*
- **Éviter tout contact du corps avec des surfaces reliées à la terre telles que les tuyaux, les radiateurs, les cuisinières et les réfrigérateurs.** *Il existe un risque accru de choc électrique si votre corps est relié à la terre.*
- **Ne pas exposer les outils à la pluie ou à des conditions humides.** *La pénétration d'eau à l'intérieur d'un outil électrique augmente le risque de choc électrique.*
- **Ne pas maltraiter le cordon. Ne jamais utiliser le cordon pour porter, tirer ou débrancher l'outil. Maintenir le cordon à l'écart de la chaleur, du lubrifiant, des arêtes ou des parties en mouvement.** *Les cordons endommagés ou emmêlés augmentent le risque de choc électrique.*
- **Dans le cas d'une utilisation de l'outil à l'extérieur, utiliser une rallonge adaptée à l'utilisation extérieure.** *L'utilisation d'un cordon adapté à l'utilisation extérieure réduit le risque de choc électrique.*
- **Si l'outil doit fonctionner dans un lieu humide, utiliser un dispositif à courant différentiel résiduel (RCD) en guise de protection.** *Utiliser un RCD permet de réduire le risque de choc électrique.*

SÉCURITÉ PERSONNELLE

- **Rester vigilant, regarder ce que vous êtes en train de faire et faire preuve de bon sens dans l'utilisation de l'outil. Ne pas utiliser un outil lorsque vous êtes fatigué ou sous l'emprise de drogues, d'alcool ou de médicaments.** *Un moment d'inattention lors de l'utilisation d'un outil peut entraîner de graves blessures*

physiques.

- **Porter l'équipement de protection individuelle adapté. Toujours porter une protection pour les yeux.** *Les équipements de sécurité tels que les masques contre les poussières, les chaussures de sécurité antidérapantes, les casques ou les protections acoustiques utilisés pour les conditions appropriées réduiront les blessures des personnes.*
- **Éviter tout démarrage intempestif. S'assurer que l'interrupteur est en position arrêt avant de brancher l'outil au secteur et/ ou au bloc de batteries, de le ramasser ou de le porter.** *Porter des outils en ayant le doigt sur l'interrupteur ou brancher des outils dont l'interrupteur est en position marche est source d'accidents.*
- *Retirer les clés de réglage avant de mettre l'outil en marche. Une clé laissée sur une partie tournante de l'outil peut entraîner des blessures corporelles.*
- **Ne pas travailler hors de portée. Garder une position et un équilibre adaptés à tout moment.** *Cela permet un meilleur contrôle de l'outil dans des situations inattendues.*
- **S'habiller de manière adaptée. Ne pas porter de vêtements amples ni de bijoux. Garder les cheveux et les vêtements à distance des parties en mouvement.** *Les vêtements amples, les bijoux ou les cheveux longs peuvent être pris dans des parties en mouvement.*
- **Si des dispositifs sont fournis pour le raccordement d'équipements pour l'extraction et la récupération des poussières, s'assurer qu'ils sont connectés et correctement utilisés.** *Utiliser des collecteurs de poussière peut réduire les risques dus aux poussières.*
- **Malgré l'expérience acquise grâce à l'utilisation fréquente des outils, rester vigilant et ne pas ignorer leurs règles de sécurité.** *Une imprudence peut entraîner de graves blessures en une fraction de seconde.*

UTILISATION ET ENTRETIEN DE L'OUTIL

- **Ne pas forcer la capacité de travail de l'outil. Utiliser l'outil approprié pour chaque application.** *En utilisant l'outil adapté,*

le résultat sera meilleur et plus sûr, en accord avec la finalité pour laquelle il a été conçu.

- **Ne pas utiliser l'outil si l'interrupteur ne permet pas de passer de l'état de marche à arrêt et vice versa.** *Un outil qui ne peut pas être commandé par l'interrupteur est dangereux et doit être réparé.*
- **Débrancher la prise de courant et/ou retirer le corps de la batterie de l'outil électrique, si possible, avant d'effectuer toute sorte de réglages, de changer d'accessoires ou de stocker l'outil.** *Ces mesures de sécurité permettent de réduire le risque de mise en route accidentelle de l'outil.*
- **Conserver les outils à l'arrêt hors de la portée des enfants et ne pas permettre à des personnes ne connaissant pas l'outil ou les présentes instructions de le faire fonctionner.** *Les outils sont dangereux entre les mains d'utilisateurs novices.*
- **Respecter l'entretien de l'outil et de ses accessoires. Vérifier qu'il n'y a pas de mauvais alignement ou de blocage des parties mobiles, des pièces cassées ou toute autre condition pouvant affecter le fonctionnement de l'outil. En cas de dommages, faire réparer l'outil avant de l'utiliser.** *De nombreux accidents sont dus à des outils mal entretenus.*
- **Garder affûtés et propres les outils permettant de couper.** *Des outils destinés à couper correctement entretenus avec des pièces coupantes tranchantes sont moins susceptibles de bloquer et sont plus faciles à contrôler.*
- **Utiliser l'outil, les accessoires et les lames etc., conformément à ces instructions, en tenant compte des conditions de travail et du travail à effectuer.** *L'utilisation de l'outil pour des opérations différentes de celles prévues pourrait donner lieu à des situations dangereuses.*
- **Garder sèches, propres et dépourvues de lubrifiant et de graisse les poignées et les surfaces de préhension.** *Des poignées et surfaces de préhension glissantes ne permettent pas de tenir et de contrôler l'outil en toute sécurité lors de situations inattendues.*

SERVICE

- **S'assurer que le service de maintenance de l'outil est effectué par du personnel spécialisé et que les pièces détachées utilisées sont originales.** Cela assurera que la sécurité de l'outil est maintenue.
- Toute utilisation inappropriée ou non conforme aux instructions d'utilisation annule la garantie et la responsabilité du fabricant.

AUTRES AVERTISSEMENTS DE SÉCURITÉ

- **PRÉCAUTION** : Afin d'éviter une surchauffe, ne pas couvrir l'outil.
- Afin d'éviter tout risque d'incendie, ne pas boucher totalement ou partiellement l'entrée et la sortie d'air de l'outil avec des tissus ou vêtements, etc.
- Ne pas utiliser l'outil si son câble électrique ou sa prise est endommagé.
- Avant de raccorder l'outil au secteur, s'assurer que le voltage indiqué sur la plaque signalétique correspond à celui du secteur.
- Connecter l'outil à une prise qui peut fournir un minimum de 16 ampères.
- Utiliser l'outil uniquement avec le raccordement électrique approprié fourni.
- Si une des enveloppes protectrices de l'outil se rompt, débrancher immédiatement l'outil du secteur pour éviter tout choc électrique.
- Ne pas utiliser l'outil s'il est tombé, s'il y a des signes visibles de dommages ou en cas de fuite.
- **PRÉCAUTION** : Maintenir l'outil au sec.
- **PRÉCAUTION** : Ne pas utiliser l'outil près de l'eau.
- Ne pas utiliser l'outil avec les mains ou les pieds humides, ni les pieds nus.
- Ne pas enrouler le câble électrique autour de l'outil.
- Ne pas couper ni plier le cordon.
- Ne pas toucher la prise de raccordement avec les mains mouillées.
- Ne meuler aucun matériau contenant de l'asbeste. Lorsque vous travaillez avec de l'asbeste et/ou de la pierre de silice, la poussière produite peut nuire gravement à la santé. Éviter l'inhalation de ce

type de poussière en suivant les réglementations appropriées sur la sécurité et la santé.

- Protégez-vous du contact et de l'inhalation de la poussière créée en ponçant des surfaces de bois, de métal et des surfaces recouvertes avec de la peinture au plomb. Portez les équipements de protection adaptés aux réglementations appropriées sur la sécurité et la santé.
- Rester vigilant lorsque vous stoppez l'outil, l'arrêt ne sera pas immédiat suite à l'effet de sa propre inertie mécanique.
- Avant chaque utilisation, dérouler complètement le câble d'alimentation de l'outil.
- Vérifier l'emplacement des câbles électriques avant de commencer à travailler, en vous assurant qu'ils sont suffisamment éloignés de la zone de travail.
- Garder les mains et autres parties du corps loin de la zone de travail lorsque l'outil fonctionne.
- Ne pas utiliser l'outil si ses accessoires ne sont pas dûment accouplés.
- Ne pas utiliser l'outil si les accessoires ou consommables fournis présentent des défauts. Les remplacer immédiatement.
- Débrancher l'outil lorsqu'il n'est pas utilisé et avant d'entreprendre son nettoyage.
- Cet outil est uniquement destiné à un usage domestique et non professionnel ni industriel.
- Cet outil doit uniquement être utilisé par un adulte. S'assurer que le produit n'est pas utilisé par des personnes déficientes, novices ou des enfants.
- Cet outil n'est pas un jouet. Les enfants doivent être surveillés pour s'assurer qu'ils ne jouent pas avec l'appareil.
- Ne pas exposer l'outil à de fortes températures.
- Ne pas exposer à des températures extrêmes ni à un fort magnétisme.
- Garder et ranger l'outil dans un lieu sec, sans poussière et loin des rayons solaires.
- Toujours vérifier la pièce à usiner avant d'utiliser l'outil et enlever

- tous les éléments gênants comme les clous, les agrafes, les vis, les ficelles, les bouts de tissus, les vêtements et autres débris.
- Ne jamais poser l'outil lorsqu'il est en marche.
 - Laisser l'outil fonctionner pendant 30 secondes sans charge et dans une position sûre. Arrêter immédiatement l'outil en cas de vibration trop importante ou de tout autre défaut. Puis, solutionner le problème et/ou suivre les instructions de la section Anomalies et Réparation.
 - L'outil peut être utilisé sur des surfaces comme le bois, le carton, le plastique, le plâtre, etc.

DESCRIPTION

- A Interrupteur marche/arrêt
- B Socle
- C Réservoir à poussière
- D Base « doigt »

Si le modèle de votre outil est vendu sans les accessoires décrits ci-dessus, vous pouvez les acquérir séparément à partir du service d'assistance technique.

MODE D'EMPLOI

AVANT UTILISATION :

- S'assurer que tout le matériel d'emballage du produit a été retiré.
- Avant de raccorder l'outil au secteur, s'assurer que le voltage indiqué sur la plaque signalétique correspond à celui du secteur.
- Toujours s'assurer que l'outil est éteint et débranché avant de le manipuler.

INSTALLATION DES ACCESSOIRES

- Débrancher l'outil.
- Pressez le papier abrasif contre le produit, ils s'assemblent à l'aide du velcro.

MONTAGE DE LA BASE DU « DOIGT » (FIG. 1)

- À l'aide d'un tournevis, retirez le couvercle du socle et placez la

base du doigt dessus.

- Serrez la vis pour la fixer et placez le papier abrasif en conséquence.

DISPOSITIF DE RÉCUPÉRATION DES POUSSIÈRES :

- Le collecteur de poussière doit toujours être connecté lorsque vous utilisez la machine, inhaler la poussière est dangereux pour la santé.
- Connectez la buse de l'adaptateur à l'adaptateur du réservoir d'aspiration de la poussière (F).
- Veillez à ce qu'il ne tombe pas en déplaçant l'appareil.
- Pour enlever le réservoir, il suffit de le retirer.

UTILISATION :

- Déroulez complètement le câble avant de le raccorder.
- Brancher l'outil.
- Positionnez la feuille abrasive.
- Démarrer l'outil avec l'interrupteur marche/arrêt.
- Placer l'outil contre la surface à travailler.
- Déplacez lentement la machine sur la pièce à usiner.
- N'exercez pas une pression trop forte sur la pièce à usiner.
- Appliquez une pression de ponçage uniforme contre la pièce à usiner afin d'augmenter la performance de la machine, sa durée de vie ainsi que celle de la feuille abrasive.

UNE FOIS QUE VOUS AVEZ TERMINÉ D'UTILISER L'OUTIL :

- Arrêtez la machine à l'aide du bouton on/off.
- Débrancher l'outil.
- Nettoyer l'outil.

MAINTENANCE ET ENTRETIEN

- **AVERTISSEMENT !** Toujours débrancher la machine avant d'entreprendre des travaux sur celle-ci.
- Les orifices d'aération doivent rester propres et dépourvus d'obstacles.
- Nettoyez soigneusement l'appareil après chaque utilisation.

Soufflez régulièrement de l'air comprimé dans le moteur.

- Assurez-vous que le cordon d'alimentation est en bon état. Si ce n'est pas le cas, apportez-le à un centre de service agréé pour le faire remplacer.

NETTOYAGE

- Débrancher l'outil et le laisser refroidir avant d'entreprendre son nettoyage.
- Nettoyer l'équipement avec un tissu humide et quelques gouttes de liquide vaisselle puis sécher.
- Ne pas utiliser de solvants, de produits avec un pH acide ou basique comme la javel ni de produits abrasifs pour nettoyer l'outil.
- Ne pas laisser d'eau ou un autre liquide s'introduire dans les orifices d'aération afin d'éviter d'endommager les parties internes de l'outil.
- Ne jamais immerger l'outil dans l'eau ni aucun autre liquide ni le placer sous l'eau courante.
- Si l'outil n'est pas nettoyé convenablement, sa surface peut se dégrader, sa durée de vie peut être affectée et son utilisation peut s'avérer dangereuse.

FOURNITURES

- Utiliser toujours les fournitures originales spécialement conçues pour le modèle de votre outil.
- Ces fournitures sont disponibles dans les magasins spécialisés.

ANOMALIES ET RÉPARATION

- En cas de panne ou autre dommage, remettre l'outil à un service d'assistance technique autorisé. Tenter de procéder aux réparations ou de démonter l'outil vous-même peut s'avérer dangereux.
- Si le raccordement a été endommagé, il doit être remplacé. Pour cela, amener l'outil chez un service technique après-vente autorisé. Tenter de procéder aux réparations ou de démonter l'outil vous-même peut s'avérer dangereux.

CARACTÉRISTIQUES :

- Puissance nominale 75 W
- Tension nominale 230 V~
- Fréquence nominale 50 Hz
- Vitesse à vide 11000 rpm
- Poids : 0,9 Kg
- Niveau de pression acoustique (LpA) = 58 dB(A), KpA = 3 dB
- Niveau de puissance acoustique (LwA) = 69 dB(A), KWA = 3 dB
- Vibration = 3,15 m/s², K= 1,5 m/s²
- Remarque : Ces caractéristiques peuvent changer sans préavis, ces changements seront dus aux améliorations du produit.
- Remarque : En vertu des conditions de fabrication de ce produit, la puissance maximale absorbée peut varier de celle spécifiée.
- Remarque : En vertu des conditions de fabrication de ce produit, la puissance maximale utilisée peut varier de celle spécifiée.
- Niveau de puissance sonore déterminée selon la norme EN 62841-1
- Le niveau d'émission de vibrations indiqué ici a été déterminé en fonction de la norme EN 62841-1 et peut être utilisé pour comparer les outils entre eux. Il peut être utilisé pour une évaluation préliminaire d'exposition
- La valeur des vibrations au cours de l'utilisation réelle de l'outil peut varier de la valeur totale indiquée en fonction du mode d'utilisation de l'outil
- Les mesures de sécurité recommandées afin de protéger l'opérateur sont basées sur l'estimation de l'exposition dans les conditions réelles d'utilisation (en prenant en considération toutes les parties du cycle de fonctionnement comme les temps d'arrêt, de ralenti et de démarrage).

POUR LES PRODUITS DE L'UNION EUROPÉENNE ET/OU CONFORMÉMENT À LA RÉGLEMENTATION EN VIGUEUR DE VOTRE PAYS D'ORIGINE :

ÉCOLOGIE ET RECYCLAGE DU PRODUIT

- Les matériaux qui constituent l'emballage de cet outil sont inclus dans un programme de collecte, de classification et de recyclage. Si vous souhaitez vous en défaire, veuillez utiliser les conteneurs publics appropriés pour chaque type de matériel.



Ce symbole signifie que, lorsque l'outil n'est plus utilisable, vous devez le remettre, suivant la méthode appropriée, à un gestionnaire de déchets d'équipements électriques et électroniques (DEEE).



Ce symbole signifie que l'utilisateur doit lire attentivement les recommandations de sécurité et le mode d'emploi avant d'utiliser le produit.



Ce symbole signifie que l'outil est de classe II



DÉCLARATION DE CONFORMITÉ

- Nous déclarons sous notre seule responsabilité que les produits CASALS décrits ici ÜÖÏ 5 sont conformes aux normes suivantes : EN 62841-1, EN 62841-2-4:2014, EN 55014-1, EN 55014-2, EN 61000-3-2, EN 61000-3-3 et EN 62321 en accord avec les directives 2006/42/EC, 2014/30/EU et 2011/65/EU.

Signé: A. Martí i Vergé. Responsable de l'ingénierie pour Casals PT

Oliana, 28/03/2019. Av. Barcelona, S/N
25790 Oliana, Lleida, Espagne

Deutsch


SCHLEIFMASCHINE MOUSE

SD75

Sehr geehrter Kunde:

Wir danken Ihnen für Ihr Vertrauen in CASALS POWER TOOLS. Dank kontinuierlicher Bemühungen und Innovationen in Kombination mit strengen Qualitätskontrollen entwickelt CASALS POWER TOOLS leistungsstarke Elektrowerkzeuge für schwerste Arbeiten.

ALLGEMEINE SICHERHEITSHINWEISE FÜR ELEKTROWERKZEUGE

-  **WARNHINWEIS** Lesen Sie bitte alle Sicherheitsvorschriften, Hinweise, Abbildungen und Spezifikationen, die diesem Elektrowerkzeug beigelegt sind, aufmerksam durch. Die Nichteinhaltung der nachfolgend aufgeführten Sicherheitsvorschriften kann zu elektrischen Entladungen, Bränden bzw. schweren Verletzungen führen.
- Bewahren Sie alle Sicherheitsvorschriften und Sicherheitsempfehlungen für spätere Fragen auf.
- Der in den Sicherheitsempfehlungen verwendete Begriff „Elektrowerkzeug“ bezieht sich auf Elektrowerkzeuge mit Netzanschluss (mit Netzkabel) ebenso wie auf batteriebetriebene Elektrowerkzeuge (ohne Netzkabel).

ARBEITSPLATZSICHERHEIT

- Halten Sie den Arbeitsbereich sauber und sorgen Sie für eine gute Beleuchtung. In ungeordneten und schlecht beleuchteten Arbeitsbereichen kommt es eher zu Unfällen.
- Arbeiten Sie mit dem Elektrowerkzeug nicht in explosionsgefährdeter Umgebung, in der sich brennbare Flüssigkeiten, Gase oder Stäube befinden. Elektrowerkzeuge erzeugen Funken, die den Staub oder die Dämpfe entzünden können.

- **Halten Sie Kinder und andere Personen während der Benutzung des Elektrowerkzeugs fern.** *Bei Ablenkung können Sie die Kontrolle über das Gerät verlieren.*

ELEKTRISCHE SICHERHEIT

- **Der Anschlussstecker des Elektrowerkzeugs muss in die Steckdose passen.** *Der Stecker darf in keiner Weise verändert werden. Verwenden Sie keine Adapterstecker gemeinsam mit schutzgeerdeten Elektrowerkzeugen. Unveränderte Stecker und passende Steckdosen verringern das Risiko eines elektrischen Schlages.*
- **Vermeiden Sie Körperkontakt mit geerdeten Oberflächen wie Rohren, Heizungen, Herden und Kühlschränken.** *Es besteht ein erhöhtes Risiko durch elektrischen Schlag, wenn Ihr Körper geerdet ist.*
- **Halten Sie Elektrowerkzeuge von Regen und Nässe fern.** *Das Eindringen von Wasser in ein Elektrowerkzeug erhöht das Risiko eines elektrischen Schlages.*
- **Üben Sie keinen Zug auf Kabel aus. Zweckentfremden Sie das Kabel nicht, um das Elektrowerkzeug zu tragen, aufzuhängen oder um den Stecker aus der Steckdose zu ziehen.** *Halten Sie das Kabel fern von Hitze, Öl, scharfen Kanten oder sich bewegendem Geräteteilen. Beschädigte oder verwickelte Kabel erhöhen das Risiko eines elektrischen Schlages.*
- **Wenn Sie mit einem Elektrowerkzeug im Freien arbeiten, verwenden Sie nur Verlängerungskabel, die auch für den Außenbereich geeignet sind.** *Die Verwendung eines für den Außenbereich geeigneten Verlängerungskabels verringert das Risiko eines elektrischen Schlages.*
- **Wenn der Betrieb des Elektrowerkzeugs in feuchter Umgebung nicht vermeidbar ist, verwenden Sie einen Fehlerstromschutzschalter.** *Der Einsatz eines Fehlerstromschutzschalters vermindert das Risiko eines elektrischen Schlages.*

PERSÖNLICHE SICHERHEIT

- **Seien Sie aufmerksam, achten Sie darauf, was Sie tun, und gehen Sie mit Vernunft an die Arbeit mit einem Elektrowerkzeug.**

Benutzen Sie kein Elektrowerkzeug, wenn Sie müde sind oder unter dem Einfluss von Drogen, Alkohol oder Medikamenten stehen. *Ein Moment der Unachtsamkeit beim Gebrauch des Elektrowerkzeugs kann zu ernsthaften Verletzungen führen.*

- **Tragen Sie eine angemessene Schutzausrüstung. Verwenden Sie immer einen Augenschutz.** *Das Tragen persönlicher Schutzausrüstung, wie Staubmaske, rutschfeste Sicherheitsschuh, Schutzhelm oder Gehörschutz, je nach Art und Einsatz des Elektrowerkzeugs, verringert das Risiko von Verletzungen.*
- **Vermeiden Sie eine unbeabsichtigte Inbetriebnahme. Vergewissern Sie sich, dass das Elektrowerkzeug ausgeschaltet ist, bevor Sie es an die Stromversorgung bzw. den Akku anschließen, es aufnehmen oder tragen.** *Wenn Sie beim Tragen des Elektrowerkzeugs den Finger am Schalter haben oder das Gerät eingeschaltet an die Stromversorgung anschließen, kann dies zu Unfällen führen.*
- **Entfernen Sie Einstellwerkzeuge oder Schraubenschlüssel, bevor Sie das Elektrowerkzeug einschalten.** *Ein Werkzeug oder Schlüssel, der sich in einem drehenden Geräteteil befindet, kann zu Verletzungen führen.*
- **Vermeiden Sie einen zu großen Arbeitsabstand. Sorgen Sie für einen sicheren Stand und halten Sie jederzeit das Gleichgewicht.** *Dadurch können Sie das Elektrowerkzeug in unerwarteten Situationen besser kontrollieren.*
- **Tragen Sie geeignete Kleidung. Tragen Sie keine weite Kleidung oder Schmuck. Halten Sie Haare und Kleidung von sich bewegenden Teilen fern.** *Lockere Kleidung, Schmuck oder lange Haare können von sich bewegenden Teilen erfasst werden.*
- **Wenn Vorrichtungen zum Anschluss von Zubehörteilen zur Absaugung und Aufnahme von Staub und Sägemehl eingeschlossen sind, dann überprüfen Sie, ob diese ordnungsgemäß angeschlossen sind und richtig verwendet werden.** *Die Verwendung einer Staubabsaugung kann Gefährdungen durch Staub verringern.*
- **Auch wenn Sie mit dem Gebrauch von Elektrowerkzeugen vertraut sind, sollten Sie stets die Sicherheitsprinzipien des Elektrowerkzeugs berücksichtigen.** *Ein Augenblick der Una-*

chtsamkeit während der Benutzung von Elektrowerkzeugen kann zu schweren Verletzungen führen.

VERWENDUNG UND BEHANDLUNG DES ELEKTROWERKZEUGS

- **Betriebskapazität des Geräts nicht überbeanspruchen.**
Verwenden Sie für jede Anwendung das richtige Elektrowerkzeug. *Das angemessene Werkzeug sorgt für ein besseres und sicheres Arbeiten in Übereinstimmung mit dem Zweck, für den es konzipiert worden ist.*
- **Benutzen Sie kein Elektrowerkzeug, dessen Schalter defekt ist.** *Ein Elektrowerkzeug, das sich nicht mehr ein oder ausschalten lässt, ist gefährlich und muss repariert werden.*
- **Ziehen Sie den Netzstecker bzw. nehmen Sie den entfernbaren Akku aus dem Elektrowerkzeug, bevor Sie jegliche Einstellungen vornehmen, Zubehörteile auswechseln oder das Elektrowerkzeug aufbewahren.** *Durch Anwendung dieser Schutzmaßnahmen wird das Risiko einer unbeabsichtigten Inbetriebnahme des Gerätes verringert.*
- **Bewahren Sie unbenutzte Elektrowerkzeuge außerhalb der Reichweite von Kindern auf. Lassen Sie Personen das Gerät nicht benutzen, die mit diesem nicht vertraut sind oder diese Anweisungen nicht gelesen haben.** *Elektrowerkzeuge sind gefährlich, wenn sie von unerfahrenen Personen benutzt werden.*
- **Bewahren Sie die Elektrowerkzeuge und deren Zubehör sicher und in einem guten Zustand auf. Kontrollieren Sie, ob bewegliche Teile einwandfrei funktionieren und nicht klemmen, ob Teile gebrochen oder so beschädigt sind, dass die Funktion des Elektrowerkzeugs beeinträchtigt ist. Lassen Sie beschädigte Teile vor dem Einsatz des Gerätes reparieren.** *Viele Unfälle haben ihre Ursache in schlecht gewarteten Elektrowerkzeugen.*
- **Halten Sie Schneidwerkzeuge scharf und sauber.** *Sorgfältig gep.egte Schneidwerkzeuge mit scharfen Schneidkanten verklemmen sich weniger und sind leichter zu führen.*
- **Verwenden Sie Elektrowerkzeug, Zubehör, Einsatzwerkzeuge usw. entsprechend dieser Anleitung. Berücksichtigen Sie dabei die Arbeitsbedingungen und die auszuführende Tätigkeit.**

Der Gebrauch von Elektrowerkzeugen für andere als die vorgesehenen Anwendungen kann zu gefährlichen Situationen führen.

- **Handgriffe und Halteflächen sollten trocken, sauber und frei von Fetten und Ölen sein.** *Rutschige Handgriffe und Halteflächen ermöglichen in unvorhergesehenen Situationen keine angemessene Kontrolle des Werkzeugs.*

WARTUNG

- **Lassen Sie Ihr Elektrowerkzeug nur von qualifiziertem Fachpersonal und nur mit Original-Ersatzteilen reparieren.** *Dadurch wird die Sicherheit des Elektrowerkzeugs gewährleistet.*
- *Unsachgemäßer Gebrauch oder die Nichteinhaltung der vorliegenden Gebrauchsanweisungen führen zu einer vollständigen Ungültigkeit der Herstellergarantie.*

ZUSÄTZLICHE SICHERHEITSHINWEISE

- **WARNHINWEIS:** Um eine Überhitzung zu vermeiden, das Gerät nicht abdecken.
- Der Lufteintritt und -austritt darf während des Betriebs weder teilweise noch ganz durch Möbel, Vorhänge, Kleidung usw. behindert werden. Es besteht Brandgefahr.
- Verwenden Sie das Gerät nicht, wenn das Elektrokabel oder der Stecker beschädigt ist.
- Vergewissern Sie sich, dass die Spannung auf dem Typenschild mit der Netzspannung übereinstimmt, bevor Sie das Gerät an das Stromnetz anschließen.
- Schließen Sie das Gerät an eine Steckdose mit mindestens 16 Ampere an.
- Verwenden Sie das Gerät nur mit dem mitgelieferten speziellen Stecker.
- Sollte eines der Gehäuseteile des Geräts brechen, muss es sofort vom Stromnetz getrennt werden, um mögliche elektrische Entladungen zu verhindern.
- Das Gerät nicht benutzen, wenn es heruntergefallen ist, sichtbare Schäden aufweist oder undicht ist.
- **WARNHINWEIS:** Das Gerät trocken halten.

- WARNHINWEIS: Das Gerät nicht in Wassernähe benutzen.
- Das Gerät darf nicht mit nassen Händen oder Füßen und auch nicht barfuß betätigt werden.
- Das Elektrokabel nicht um das Gerät wickeln.
- Achten Sie darauf, dass das Elektrokabel nicht eingeklemmt oder geknickt wird.
- Berühren Sie den Stecker nicht mit feuchten Händen.
- Schleifen Sie keine asbesthaltigen Werkstoffe. Beim Arbeiten mit asbesthaltigen Werkstoffen oder Kieselstein wird gesundheitsschädlicher Staub erzeugt. Schützen Sie sich vor dem Einatmen dieses Staubs durch Einhaltung der Unfallverhütungsvorschriften.
- Schützen Sie sich vor dem Kontakt und dem Einatmen von Staub, der durch Schleifen der Oberflächen von Holz, Metall oder Anstrichen mit Bleifarben entsteht. Verwenden Sie Schutzausrüstungen, die den Unfallverhütungsvorschriften entsprechen.
- Seien Sie nach dem Ausschalten des Gerätes vorsichtig und beachten Sie die durch die mechanische Trägheit verursachte Nachlaufzeit des Elektrowerkzeugs.
- Vor jedem Gebrauch des Geräts das Stromkabel vollständig auswickeln.
- Überprüfen Sie vor Arbeitsbeginn die Position der Stromversorgungskabel und stellen Sie deren ausreichenden Sicherheitsabstand zum Arbeitsbereich sicher.
- Hände und sonstige Körperteile sind vom Arbeitsbereich fernzuhalten, während das Gerät verwendet wird.
- Das Gerät nicht benutzen, wenn die Zubehörteile nicht richtig befestigt sind.
- Das Gerät nicht benutzen, wenn die Zubehörteile oder das Verbrauchsmaterial Mängel aufweisen. Ersetzen Sie diese sofort.
- Ziehen Sie den Netzstecker, wenn Sie das Gerät nicht benutzen und bevor Sie Reinigungsarbeiten durchführen.
- Dieses Gerät ist ausschließlich für den Hausgebrauch vorgesehen, nicht für die gewerbliche oder berufliche Nutzung.
- Dieses Gerät ist für die Verwendung durch Erwachsene bestimmt.

Achten Sie darauf, dass Personen, die mit derartigen Produkten nicht vertraut sind, sowie Behinderte oder Kinder dieses Gerät nicht benutzen.

- Dieses Gerät ist kein Spielzeug. Kinder sollten überwacht werden, um sicherzustellen, dass sie nicht mit dem Gerät spielen.
- Das Gerät darf keinen extremen Temperaturen ausgesetzt werden.
- Das Gerät darf weder extremen Temperaturen noch starken Magnetfeldern ausgesetzt werden.
- Das Gerät an einem trockenen, staubfreien und vor Sonnenlicht geschützten Ort aufbewahren.
- Überprüfen Sie vor der Verwendung des Geräts immer das Werkstück und entfernen Sie mögliche Behinderungen wie Nägel, Klammern, Schrauben, Drähte, Bänder, Stoffreste und sonstige Materialreste.
- Das Gerät nicht eingeschaltet auf einer Fläche ablegen.
- Lassen Sie das Gerät ca. 30 Sekunden in einer sicheren Position im Leerlauf laufen. Schalten Sie das Gerät unverzüglich aus, wenn Sie eine beachtliche Vibration oder einen sonstigen Defekt feststellen. Überprüfen Sie in diesem Fall den Fehler bzw. verfahren Sie wie unter dem Abschnitt Störungen und Reparatur beschrieben.
- Mit dem Gerät kann auf folgenden Oberflächen gearbeitet werden: Holz, Karton, Kunststoff, Gips usw.

BESCHREIBUNG

- A Ein-Aus-Schalter
- B Fußplatte
- C Staubbehälter
- D Basis in Fingerform

Wenn Ihr Gerätemodell nicht über die zuvor aufgeführten Zubehöreile verfügt, können diese auch beim technischen Kundendienst erworben werden.

GEBRAUCHSANWEISUNG

HINWEISE VOR DEM EINSATZ:

- Vergewissern Sie sich, dass Sie das gesamte Verpackungsmaterial des Produkts entfernt haben.
- Vergewissern Sie sich, dass die Spannung auf dem Typenschild mit der Netzspannung übereinstimmt, bevor Sie das Gerät an das Stromnetz anschließen.
- Stellen Sie vor der Durchführung jeglicher Arbeiten immer sicher, dass das Elektrowerkzeug ausgeschaltet und der Netzstecker gezogen ist.

MONTAGE DES ZUBEHÖRS

- Ziehen Sie den Netzstecker.
- Drücken Sie das Schleifpapier gegen das Produkt, um per Kontaktschluss-System eine Verbindung herzustellen.

DIE BASIS IN FINGERFORM MONTIEREN (ABB. 1)

- Nehmen Sie mithilfe eines Schraubendrehers die Frontabdeckung der Grundplatte ab und setzen Sie die Basis in Fingerform auf.
- Ziehen Sie die Befestigungsschraube an und bringen Sie das Schleifpapier entsprechend an.

STAUBAUFFANGSYSTEM:

- Verwenden Sie das Gerät immer mit angebrachtem Staubsammelbehälter, da das Einatmen staubhaltiger Luft gesundheitsschädlich ist.
- Verbinden Sie den Adapterstutzen mit dem Adapter des Staubsammelbehälters (F).
- Stellen Sie sicher, dass beim Bewegen des Geräts nicht abfällt.
- Zum Abnehmen den Sammelbehälter einfach abziehen.

GEBRAUCH:

- Vor Anschluss das Kabel vollständig ausrollen.
- Schließen Sie das Gerät an das Stromnetz an.
- Bringen Sie das Schleifblatt an.

- Schalten Sie das Gerät mit dem Ein-Aus-Schalter ein.
- Setzen Sie die Schleifmaschine auf die zu bearbeitende Oberfläche.
- Bewegen Sie das Gerät langsam über das Werkstück.
- Üben Sie keinen zu starken Druck auf das Werkstück aus.
- Wenden Sie einen gleichmäßigen Schleifdruck auf das Werkstück an. So erhalten Sie gute Arbeitsergebnisse und erhöhen die Nutzlebensdauer von Schleifmaschine und Schleifblatt.

NACH DEM GEBRAUCH DES GERÄTES:

- Das Gerät mithilfe des Ein-/Ausschalters abschalten.
- Ziehen Sie den Netzstecker.
- Reinigen Sie das Gerät.

WARTUNG UND PFLEGE

- **WARNHINWEIS!** Vor Arbeiten am Gerät immer zuerst den Netzstecker abziehen.
- Die Lüftungsschlitze müssen stets sauber und frei sein.
- Nach der Benutzung die Maschine sorgfältig reinigen. Den Motor regelmäßig mit Druckluft abblasen.
- Stellen Sie sicher, dass sich das Stromversorgungskabel in gutem Zustand befindet. Andernfalls ist ein offizieller Kundendienstpartner aufzusuchen, der den Austausch vornimmt.

REINIGUNG

- Ziehen Sie den Stecker heraus und lassen Sie das Gerät abkühlen, bevor Sie mit der Reinigung beginnen.
- Reinigen Sie das Gerät mit einem feuchten Tuch, auf das Sie einige Tropfen Reinigungsmittel geben und trocknen Sie es danach ab.
- Verwenden Sie zur Reinigung des Apparats weder Lösungsmittel noch Scheuermittel oder Produkte mit einem sauren oder basischen pH-Wert wie Lauge.
- Lassen Sie kein Wasser oder andere Flüssigkeiten in die Belüftungsöffnungen eindringen, um Schäden an den inneren

Funktionsteilen des Gerätes zu vermeiden.

- Das Gerät nicht in Wasser oder andere Flüssigkeiten tauchen und nicht unter den Wasserhahn halten.
- Halten Sie das Gerät nicht sauber, so könnte sich der Zustand seiner Oberfläche verschlechtern, seine Lebenszeit negativ beeinflusst und gefährliche Situationen verursacht werden.

ERSATZTEILE UND BETRIEBSMITTEL

- Verwenden Sie stets für Ihr Gerät geeignete Original-Verbrauchsmaterialien.
- Betriebsmittel sind in Fachgeschäften erhältlich.

STÖRUNGEN UND REPARATUR

- Bringen Sie das Gerät im Falle einer Störung zu einem zugelassenen technischen Wartungsdienst. Versuchen Sie nicht, das Gerät selbst auseinanderzubauen oder zu reparieren, da Verletzungsgefahr besteht.
- Wenn das Netzkabel beschädigt ist, muss es ausgetauscht werden. Das Gerät ist zu einer zugelassenen technischen Kundendienststelle zu bringen. Versuchen Sie nicht, das Gerät selbst auseinanderzubauen oder zu reparieren, da Verletzungsgefahr besteht.

MERKMALE:

- Nennleistung 75 W
- Nennspannung 230 V~
- Nennfrequenz 50 Hz
- Leerlaufdrehzahl 11.000 U/Min
- Gewicht: 0,9 kg
- Schalldruckpegel (LpA) = 58 dB(A), KpA = 3 dB
- Schalldruckpegel (LwA) = 69 dB(A), KWA = 3 dB
- Vibration = 3,15 m/s², K= 1,5 m/s²
- Anmerkung: Im Zuge technischer Verbesserungen des Gerätes können ohne Vorankündigung Änderungen bezüglich dieser technischen Daten eintreten.

- Anmerkung: Aufgrund der Herstellungsbedingungen dieses Produkts kann die maximale Saugleistung von den angegebenen Werten abweichen.
- Anmerkung: Aufgrund der Herstellungsbedingungen dieses Produkts kann die maximale aufgenommene Leistung von den angegebenen Werten abweichen.
- Die Messung des Schalldruckpegels erfolgte gemäß Norm EN 62841-1.
- Die Messung des in diesem Datenblatt aufgeführten Schwingungsemissionswerts erfolgte gemäß den Bestimmungen der Norm EN 62841-1 und kann für den Vergleich zwischen Maschinen herangezogen werden. Sie kann auch für eine Vorbewertung des Gefährdungsgrads verwendet werden.
- Die Vibrationsemission während der tatsächlichen Benutzung des Elektrowerkzeugs kann je nach Art der Benutzung der Maschine vom angegebenen Gesamtwert abweichen.
- Es sind die Sicherheitsmaßnahmen zum Schutz des Benutzers anhand einer Schätzung des Gefährdungsgrads unter den tatsächlichen Benutzungsbedingungen zu identifizieren (dies unter Berücksichtigung aller Phasen des Arbeitszyklus sowie der Ausschalt- und Leerlaufzeiten der Maschine und der Betriebszeit).



FÜR PRODUKTE DER EUROPÄISCHEN UNION BZW. FALLS VOM GESETZ IN IHREM HERKUNFTSLAND VORGESCHRIEBEN:

UMWELTSCHUTZ UND RECYCLING DES PRODUKTES

- Das Verpackungsmaterial dieses Geräts ist Bestandteil eines Sammel-, Klassifizierungs- und Recycling-Systems. Wenn Sie es entsorgen wollen, können Sie die für das jeweilige Material entsprechenden Abfallcontainer verwenden.



Dieses Symbol bedeutet, dass Sie das Produkt, sobald es abgelaufen ist, von einem entsprechend zugelassenen Fachmann für Umweltmanagement der Entsorgung für Elektrische und Elektronische Geräteabfälle (EEGA) zukommen lassen müssen.

| | |
|---|---|
|  | Dieses Symbol bedeutet, dass der Benutzer die Sicherheitshinweise und Bedienungsanleitung des Gerätes vor dessen Verwendung aufmerksam durchlesen sollte. |
|  | Dieses Symbol bedeutet, dass es sich um ein Gerät der Schutzklasse II handelt. |

CE KONFORMITÄTSERKLÄRUNG

- Wir erklären unter alleiniger Verantwortung, dass die in dieser Bedienungsanleitung beschriebenen Produkte der Marke CASALS, SD75, die folgenden Normen und Standards erfüllen: EN 62841-1, EN 62841-2-4:2014, EN 55014-1, EN 55014-2, EN 61000-3-2, EN 61000-3-3 und EN 62321 gemäß den Richtlinien 2006/42/EC, 2014/30/EU und 2011/65/EU.

Gezeichnet

A. Martí Vergé

Technischer Direktor Casals Power Tools



Oliana, 28.03.2019

Av. Barcelona, s/n

25790 Oliana, Lleida, Spanien

Italiano

LEVIGATRICE MOUSE


SD75

Egregio cliente,

La ringraziamo per la fiducia depositata in CASALS POWER TOOLS.

Grazie allo sforzo continuo, all'innovazione e al superamento di rigorosi controlli di qualità, CASALS POWER TOOLS sviluppa potenti utensili elettrici per i lavori più difficili.

AVVERTENZE GENERALI DI PERICOLO PER ELETTROUTENSILI

-  **AVVERTENZA** Leggere tutte le avvertenze di sicurezza, le istruzioni, le illustrazioni e le specifiche fornite con questo utensile elettrico. *In caso di mancata osservanza delle istruzioni elencate in basso potrebbe sussistere il pericolo di scosse elettriche, incendi e/o gravi incidenti*
- *Conservare tutte le avvertenze di pericolo e le istruzioni operative per futura consultazione.*
- *Il termine «elettro utensile» utilizzato nelle avvertenze di pericolo si riferisce ad utensili elettrici alimentati dalla rete (con allacciamento) e a utensili elettrici alimentati a batteria (senza allacciamento alla rete).*

SICUREZZA DELLA POSTAZIONE DI LAVORO

- *Mantenere l'area di lavoro pulita e ben illuminata. È più probabile che si verifichino incidenti in aree non adeguatamente illuminate e ordinate*
- **Evitare d'impiegare l'elettro utensile in ambienti soggetti al rischio di esplosioni nei quali vi sia presenza di liquidi, gas o polveri infiammabili.** *Gli elettro utensili producono scintille che possono innescare la combustione di polvere o gas*

- **Tenere lontani bambini ed estranei durante l'utilizzo dell'elettrotensile.** *Eventuali distrazioni possono comportare la perdita del controllo dell'elettrotensile.*

SICUREZZA ELETTRICA

- **Verificare che la spina di collegamento alla rete dell'elettrotensile sia adatta alla presa. Non apportare assolutamente alcuna modifica alla spina. Non usare adattatori su elettrotensili dotati di collegamento a terra.** *Utilizzare spine non modificate e prese adatte allo scopo consente di ridurre il rischio di scosse elettriche.*
- **Evitare il contatto fisico con le superfici collegate a terra, come tubi, impianti di riscaldamento, cucine elettriche e frigoriferi.** *Quando il corpo è collegato alla terra, sussiste un maggior rischio di scosse elettriche.*
- **Custodire l'elettrotensile al riparo dalla pioggia o dall'umidità.** *L'infiltrazione di acqua nell'elettrotensile aumenta il rischio di scosse elettriche.*
- **Non forzare il cavo di collegamento elettrico. Non afferrare mai il cavo per trasportare, tirare o scollegare l'elettrotensile. Mantenere il cavo lontano da fonti di calore, olio, spigoli taglienti o parti mobili.** *I cavi danneggiati o attorcigliati aumentano il rischio di scariche elettriche.*
- **Qualora si voglia usare l'elettrotensile all'aperto, impiegare solo ed esclusivamente cavi di prolunga adatti per l'impiego esterno.** *Utilizzando un cavo omologato per l'impiego esterno è possibile ridurre il rischio di scosse elettriche.*
- **Qualora non fosse possibile evitare di utilizzare l'elettrotensile in un ambiente umido, utilizzare un interruttore di sicurezza.** *L'utilizzo di un interruttore di sicurezza consente di ridurre il rischio di scosse elettriche.*

SICUREZZA PERSONALE

- **È importante concentrarsi sulle operazioni svolte e maneggiare con giudizio l'elettrotensile durante il lavoro. Non utilizzare l'apparecchio se si è affaticati o sotto l'effetto di sostanze stupefacenti, alcool o medicinali.** *Qualsiasi momento*

di disattenzione durante il lavoro con questo tipo di apparecchi può essere causa di gravi incidenti.

- **Indossare gli adeguati dispositivi di protezione individuale. Indossare sempre occhiali di protezione.** *I dispositivi di protezione quali maschera anti polvere, scarpe di sicurezza antiscivolo, casco di sicurezza o o protettore auricolare, utilizzati per le condizioni che lo richiedono, ridurranno gli infortuni personali.*
- **Evitate l'avvio involontario dell'utensile. Assicurarsi che l'elettrodotensile sia spento prima di collegare l'elettrodotensile alla rete di alimentazione o alla batteria ricaricabile, prima di manipolarlo o di trasportarlo.** *Trasportare apparecchiature elettriche poggiando le dita sull'interruttore di accensione o collegare le apparecchiature alla rete con l'interruttore in posizione accesa comporta il rischio di gravi incidenti.*
- **Rimuovere qualsiasi chiave di regolazione o chiave inglese prima di accendere l'utensile.** *Nel caso in cui una chiave o un accessorio .niscano in una parte rotante della macchina, sussiste il rischio di gravi incidenti.*
- **Evitare posture anomale del corpo. Avere cura di mettersi in posizione sicura e di mantenere l'equilibrio in ogni situazione.** *In modo da mantenere costantemente il controllo dell'elettrodotensile.*
- **Indossare abiti adeguati al lavoro. Non indossare abiti svolazzanti o gioielli. Mantenere capelli, vestiti e guanti lontani dalle parti in movimento.** *Indumenti abbondanti, gioielli o capelli lunghi possono rimanere impigliati nelle parti in movimento.*
- **In caso fosse previsto il montaggio di dispositivi di aspirazione e di raccolta della polvere, assicurarsi che siano collegati e utilizzati correttamente.** *L'utilizzo di dispositivi di aspirazione può ridurre il rischio di situazioni pericolose dovute allo sviluppo di polvere.*
- **La familiarità acquisita con l'uso frequente degli utensili non deve gratificare l'operatore e indurlo a ignorare i principi di sicurezza dell'utensile.** *Una condotta distratta può essere causa di gravi infortuni in una frazione di secondo.*

MANIPOLAZIONE E USO ACCURATO DEGLI ELETTROUTENSILI

- **Non forzare la capacità di lavoro dell'apparecchio. Usare gli utensili adatti per ogni tipo di applicazione.** *L'elettro utensile pertinente funzionerà meglio e in modo più sicuro nell'utilizzo per il quale è stato progettato.*
- **Non utilizzare mai elettro utensili con interruttori difettosi, in quanto ciò rappresenta un grave pericolo.** *Provvedere alla riparazione dell'interruttore.*
- **Scollegare la spina dalla presa di corrente e/o estrarre il corpo della batteria, se separabile, dall'apparecchiatura elettrica prima di realizzare qualsiasi tipo di regolazione, cambiare accessori o riporre l'utensile.** *Adottando queste misure di sicurezza è possibile ridurre il rischio di messa in funzione accidentale dell'apparecchio.*
- **Durante i periodi di inutilizzo, conservare gli elettro utensili al di fuori della portata dei bambini e non consentire l'utilizzo dell'elettro utensile a persone che non abbiano familiarità con il suo funzionamento o che non abbiano letto le presenti istruzioni.** *Gli elettro utensili possono essere macchine pericolose se utilizzati da persone che non hanno esperienza sufficiente.*
- **Eseguire la manutenzione degli elettro utensili e degli accessori.** *Accertarsi che le parti mobili della macchina funzionino perfettamente, che non si inceppino e che non ci siano pezzi rotti o danneggiati al punto da limitare il funzionamento dell'elettro utensile. Prima di utilizzare l'elettro utensile, provvedere alla riparazione degli eventuali componenti danneggiati. Numerosi incidenti si verificano in seguito a operazioni di manutenzione eseguito con scarsa cura sugli elettro utensili.*
- **Mantenere gli utensili da taglio sempre affilati e puliti.** *Se curati con particolare attenzione e mantenuti taglienti e affilati gli utensili da taglio si inceppano meno frequentemente e risultano più facili da guidare.*
- **Utilizzare l'elettro utensile, gli accessori opzionali, gli utensili per applicazioni specifiche ecc. attenendosi sempre alle presenti istruzioni, tenendo in considerazione le condizioni di lavoro e le operazioni da eseguire.** *L'impiego di elettro utensili per usi diversi da quelli previsti può dar luogo a situazioni di pericolo.*

- **Mantenere maniglie e impugnature asciutte, pulite e senza tracce di olio o grasso.** *Maniglie e impugnature sdruciolevoli non consentono una manipolazione sicura e il controllo dell'utensile in situazioni impreviste.*

RIPARAZIONI

- **Far riparare l'elettrodomestico da una persona qualificata, utilizzando solo pezzi di ricambio identici.** *In questo modo si manterrà la sicurezza dell'elettrodomestico.*
- *Il produttore invalida la garanzia e declina ogni responsabilità in caso di uso inappropriato dell'apparecchio o non conforme alle istruzioni d'uso.*

ULTERIORI INDICAZIONI DI SICUREZZA

- **AVVERTENZA:** Per evitare un surriscaldamento non coprire l'apparecchio.
- Evitare che l'entrata e l'uscita d'aria siano totalmente o parzialmente coperte da mobili, tende, indumenti, ecc, per il pericolo di incendio.
- Non utilizzare l'apparecchio nel caso in cui il cavo di alimentazione o la spina siano danneggiati.
- Prima di collegare l'apparecchio alla rete elettrica, verificare che la tensione indicata sulla targhetta delle specifiche corrisponda alla tensione di rete.
- Collegare l'apparecchio a una presa di corrente che possa erogare un minimo di 16 ampere.
- Utilizzare l'apparecchio esclusivamente con lo specifico connettore elettrico fornito.
- In caso di rottura di una parte dell'involucro esterno dell'apparecchio, scollegare immediatamente la spina dalla presa di corrente al fine di evitare eventuali scariche elettriche.
- Non usare l'apparecchio in seguito a cadute, nel caso presenti danni visibili o in presenza di qualsiasi perdita.
- **AVVERTENZA:** Mantenere asciutto l'apparecchio.
- **AVVERTENZA:** Non usare l'apparecchio vicino all'acqua.
- Non utilizzare l'apparecchio con le mani o i piedi umidi, né a piedi

scalzi.

- Non avvolgere il cavo di alimentazione attorno all'apparecchio.
- Non lasciare che il cavo rimanga impigliato o attorcigliato.
- Non toccare mai la spina con le mani bagnate.
- Non levigare alcun materiale contenente amianto. - Quando si lavora con amianto e/o pietra di silice, la polvere generata è estremamente dannosa per la salute. Evitare l'inalazione di questi tipi di polvere attenendosi alle opportune norme di salute e sicurezza.
- Proteggersi dal contatto e dall'inalazione delle polveri generate dalla levigatura del legno e di superfici metalliche o superfici ricoperte con vernice al piombo. Utilizzare dispositivi di protezione conformi alle opportune norme di salute e sicurezza.
- Dopo aver arrestato l'apparecchio usare prudenza perché l'utensile continuerà a muoversi per effetto dell'inerzia meccanica.
- Prima di ogni utilizzo, srotolare completamente il cavo dell'apparecchio.
- Verificare la disposizione dei cavi di alimentazione prima di cominciare il lavoro e assicurarsi che siano a una distanza sufficiente dalla zona di lavoro.
- Tenere le mani e altre parti del corpo lontane dalla zona di lavoro durante l'utilizzo dell'apparecchio.
- Non utilizzare l'apparecchio se gli accessori non sono correttamente collegati.
- Non utilizzare l'apparecchio se gli accessori presentano dei difetti. Procedere a sostituirli immediatamente.
- Scollegare la spina dalla rete elettrica quando non viene utilizzato e prima di eseguirne la pulizia.
- Questo apparecchio è destinato unicamente all'uso domestico, non professionale né industriale.
- Questo apparecchio è destinato unicamente all'uso da parte di adulti. Assicurarsi che il prodotto non venga utilizzato da persone disabili, bambini o persone non abituate a manipolarlo.
- Questo apparecchio non è un giocattolo. Assicurarsi che i bambini non giochino con l'apparecchio.
- Non esporre l'apparecchio a temperature estreme.

- Non esporre a temperature estreme o a forti magnetismi.
- Conservare e riporre l'apparecchio in un luogo asciutto, lontano dalla polvere e dalla luce del sole.
- Controllare sempre il pezzo di lavoro prima di utilizzare l'apparecchio e rimuovere eventuali ostruzioni quali chiodi, punti metallici, viti, fili, stracci, tessuti e altri residui.
- Non lasciare mai l'apparecchio in funzionamento appoggiato su di una superficie.
- Lasciare l'apparecchio in funzione per 30 secondi senza carico e in una posizione sicura. Arrestare immediatamente l'apparecchio se si nota una vibrazione notevole o qualche altro difetto. In questo caso verificare il problema e/o procedere come descritto nella sezione Anomalie e Riparazione.
- L'apparecchio può essere utilizzato su superfici quali legno, cartone, plastica, gesso ecc.

DESCRIZIONE

- A Interruttore ON/OFF
- B Piastra base
- C Serbatoio polvere
- D Base 'a dito'

Se il modello del vostro apparecchio non dispone degli accessori descritti sopra, questi si possono anche acquistare separatamente dal servizio di assistenza tecnica.

MODALITÀ D'USO

PRIMA DELL'USO:

- Assicurarsi di aver rimosso dal prodotto tutto il materiale di imballaggio.
- Prima di collegare l'apparecchio alla rete elettrica, verificare che la tensione indicata sulla targhetta delle specifiche corrisponda alla tensione di rete.
- Assicurarsi sempre che l'apparecchio sia spento e scollegato prima di effettuare qualsiasi lavoro sullo stesso.

PREDISPORRE GLI ACCESSORI

- Scollegare l'apparecchio dalla rete.
- Spingere la carta vetrata contro il prodotto, si uniscono mediante fissaggio a strappo.

MONTAGGIO DELLA BASE "A DITO" (FIG. 1)

- Con l'aiuto di un cacciavite, rimuovere il coperchio frontale della piastra base e collocare la base a dito su di essa.
- Stringere la vite per regolarla e collocare correttamente la carta vetrata.

SISTEMA RACCOGLI POLVERE:

- Usare sempre l'apparecchio con il deposito polvere (2) connesso; inalare polveri è dannoso per la salute.
- Collegare la valvola dell'adattatore all'adattatore del deposito di polvere (F).
- Assicurarsi che non cada muovendo l'apparecchio.
- Per rimuovere il deposito basta estrarlo.

USO:

- Srotolare completamente il cavo prima di attaccare alla corrente.
- Collegare l'apparecchio alla rete elettrica.
- Assemblare il foglio abrasivo.
- Accendere l'apparecchio mediante il pulsante on/off.
- Posizionare l'apparecchio contro la superficie che si desidera lavorare.
- Muovere lentamente l'apparecchio sul pezzo di lavoro.
- Non applicare eccessiva pressione sul pezzo di lavoro.
- Applicare pressione uniforme sul pezzo di lavoro per aumentare le performance e la vita utile della smerigliatrice e del foglio abrasivo.

UNA VOLTA TERMINATO DI UTILIZZARE L'APPARECCHIO:

- Arrestare l'apparecchio utilizzando il pulsante on/off.
- Scollegare l'apparecchio dalla rete.
- Pulire l'apparecchio.

MANUTENZIONE E CURA

- **AVVERTENZA!** Scollegare sempre la macchina prima di effettuare qualsiasi intervento.
- Le fenditure di ventilazione devono essere mantenute sempre pulite e libere da ostacoli.
- Pulire bene la macchina dopo ogni uso. Pulire il motore regolarmente con aria compressa.
- Verificare che il connettore di rete sia in buone condizioni. In caso contrario, rivolgersi a un Centro Assistenza Autorizzato per provvedere alla sostituzione.

PULIZIA

- Scollegare la spina dalla rete elettrica e aspettare che l'apparecchio si raffreddi prima di eseguirne la pulizia.
- Pulire il gruppo elettrico con un panno umido, quindi asciugarlo.
- Per la pulizia non impiegare solventi o prodotti a pH acido o basico come la candeggina, né prodotti abrasivi.
- Non lasciar entrare acqua o altri liquidi nelle fenditure del sistema di ventilazione per non danneggiare le parti operative dell'apparecchio.
- Non immergere l'apparecchio in acqua o altri liquidi, né lavarlo con acqua corrente.
- La mancata pulizia periodica dell'apparecchio può provocare il deterioramento delle superfici, compromettendone la durata operativa e la sicurezza.

CONSUMABILI

- Usare sempre consumabili originali, disegnati specificatamente per il suo modello di apparecchio.
- Questo tipo di consumabile è acquistabile presso i negozi specializzati.

ANOMALIE E RIPARAZIONI

- In caso di guasto, rivolgersi a un Centro di Assistenza Tecnica autorizzato. Non tentare di smontare o riparare l'apparecchio da soli perché potrebbe essere pericoloso.

- Se la connessione alla rete di alimentazione è danneggiata, deve essere sostituita; portare l'apparecchio presso un servizio di assistenza tecnica autorizzato. Non tentare di smontare o riparare l'apparecchio da soli per evitare situazioni di pericolo.

CARATTERISTICHE:

- Potenza nominale 75 W
- Voltaggio nominale 230 V~
- Frequenza nominale 50 Hz
- Velocità a vuoto 11000 rpm
- Peso: 0,9 Kg
- Livello di pressione acustica (LpA) = 58 dB(A), KpA = 3 dB
- Livello di potenza acustica (LwA) = 69 dB(A), KWA = 3 dB
- Vibrazione= 3,15 m/s², K=1,5 m/s²
- NB: Queste caratteristiche possono essere soggette a cambi senza previo avviso, dovuti ai miglioramenti effettuati sul prodotto.
- NB: In virtù delle condizioni di fabbricazione di questo prodotto, la potenza massima assorbita può differire da quella specificato.
- NB: In virtù delle condizioni di fabbricazione di questo prodotto, la potenza massima utilizzata può differire da quella specificato.
- Livello acustico misurato determinato in base alla norma EN 62841-1.
- Il livello di vibrazioni emesse indicato in questa scheda informativa è stato misurato in base alla norma EN 62841-1 e può essere utilizzato per confrontare un utensile con un altro. Esso può essere utilizzato per una valutazione preliminare dell'esposizione
- Il valore delle vibrazioni durante l'uso effettivo dell'elettrotensile può essere diverso dal valore totale dichiarato a seconda della modalità in cui viene utilizzato l'utensile
- Occorre identificare le misure di sicurezza per proteggere l'operatore sulla base di una stima dell'esposizione nelle condizioni reali di utilizzo (tenendo conto di tutte le fasi del ciclo operativo quali il numero di volte che lo strumento viene spento e quando gira a vuoto, oltre al tempo di attivazione).

PER I PRODOTTI DELL'UNIONE EUROPEA E/O NEL CASO IN CUI SIA PREVISTO DALLA LEGISLAZIONE DEL SUO PAESE DI ORIGINE:

PRODOTTO ECOLOGICO E RICICLABILE

- I materiali che costituiscono l'imballaggio di questo apparecchio sono riciclabili. Per lo smaltimento, utilizzare gli appositi contenitori pubblici, adatti per ogni tipo di materiale.



Questo simbolo indica che, per smaltire il prodotto al termine della sua durata utile, occorre depositarlo presso un ente di smaltimento autorizzato alla raccolta differenziata di rifiuti di apparecchiature elettriche ed elettroniche (RAEE).



Questo simbolo indica che l'utente deve leggere attentamente gli avvertimenti e le istruzioni di sicurezza prima dell'uso.



Questo simbolo indica che l'utensile appartiene alla categoria II



DICHIARAZIONE DI CONFORMITÀ

- Dichiariamo sotto la nostra esclusiva responsabilità che i prodotti della marca CASALS descritti in questo manuale SD75 sono conformi alle norme o ai regolamenti seguenti: EN 62841-1, EN 62841-2-4:2014, EN 55014-1, EN 55014-2, EN 61000-3-2, EN 61000-3-3 e EN 62321 ai sensi delle direttive 2006/42/EC, 2014/30/EU e 2011/65/EU.

Firmato

A. Martí Vergé

. Direttore Ingegneria Casals Power Tools

Oliana, 28/03/2019. Av. Barcelona, S/N
25790 Oliana, Lleida, Spagna

Português

LIXADEIRA MOUSE


G8 75

Caro cliente,

Agradecemos a sua confiança em CASALS POWER TOOLS.

Graças ao seu esforço e inovação contínuos, juntamente com o cumprimento dos controlos de qualidade mais rigorosos, CASALS POWER TOOLS desenvolve ferramentas elétricas potentes para os trabalhos mais duros.

INDICAÇÕES GERAIS DE SEGURANÇA PARA FERRAMENTAS ELÉTRICAS

-  **AVISO** Leia todos os avisos e todas as instruções, ilustrações e especificações de segurança fornecidas com esta ferramenta elétrica. O desrespeito das instruções apresentadas abaixo pode causar choque elétrico, incêndio e/ou lesões graves.
- *Guarde bem todas as advertências e instruções para referência futura.*
- *O termo “ferramenta elétrica”, usado a seguir nas indicações de advertência, refere-se a ferramentas elétricas operadas com corrente de rede (com cabo de rede) ou com acumulador (sem cabo de rede).*

SEGURANÇA NA ÁREA DE TRABALHO

- **Mantenha a área de trabalho limpa e bem iluminada.** *As áreas desordenadas ou escuras propiciam a ocorrência de acidentes.*
- **Não trabalhe com ferramentas elétricas em áreas com risco de explosão, nas quais se encontrem líquidos, gases ou pós inflamáveis.** *As ferramentas elétricas produzem faíscas que poderão in. amar pós ou vapores*
- **Mantenha as crianças e outras pessoas afastadas das ferramentas elétricas durante o respetivo manuseamento.** *Em caso de distração, é possível que perca o controlo sobre o aparelho.*

SEGURANÇA ELÉTRICA

- **A ficha das ferramentas elétricas deve ser compatível com a tomada. A ficha não deve sofrer qualquer tipo de modificação. Não use uma ficha adaptadora com ferramentas elétricas com ligação à terra. As .chas não modi.cadas e as tomadas adequadas reduzem o risco de choque elétrico.**
- **Evite o contacto com superfícies ligadas à terra, tais como tubos, aquecimentos, fogões e frigoríficos. Se o corpo estiver em contacto com a terra, existe risco elevado de choque elétrico.**
- **Mantenha as ferramentas elétricas afastadas da chuva ou humidade. A iniltração de água numa ferramenta elétrica aumenta o risco de choque elétrico.**
- **Não deverá usar o cabo para outras finalidades. Nunca use o cabo para transportar, puxar ou retirar a ferramenta elétrica da tomada. Mantenha o cabo afastado do calor, de óleos, de cantos afiados ou de partes do aparelho em movimento. Os cabos dani.cados ou emaranhados aumentam o risco de choque elétrico.**
- **Se trabalhar com a ferramenta elétrica ao ar livre, só deverá usar cabos de extensão adequados para áreas exteriores. O uso de um cabo de extensãoadequado para áreas exteriores reduz o risco de choque elétrico.**
Se não for possível evitar o funcionamento da ferramenta elétrica em áreas húmidas, deverá ser usado um dispositivo de corrente residual (RCD). O uso de um dispositivo de corrente residual reduz o risco de choque elétrico.

SEGURANÇA PESSOAL

- **Esteja atento, observe o que está a fazer e tenha prudência ao manusear a ferramenta elétrica. Não use a ferramenta elétrica quando estiver fatigado ou sob a influência de drogas, de álcool ou de medicamentos. Um momento de descuido ao usar a ferramenta elétrica poderá originar lesões graves.**
- **Use equipamento de proteção pessoal. Use sempre óculos de proteção. O uso de equipamento de proteção pessoal, como a máscara de proteção contra o pó, os sapatos de segurança**

antiderrapantes, o capacete de segurança ou a proteção auditiva reduz o risco de lesões.

- **Evite um arranque não intencional. Certifique-se de que a ferramenta elétrica está desligada antes de a ligar à fonte de alimentação e/ou ao conjunto de baterias e antes de a levantar ou transportar.** Se tiver o dedo no interruptor ao transportar ferramentas elétricas ou se ligar as ferramentas elétricas com o interruptor ligado, poderão ocorrer acidentes.
- **Remova quaisquer chaves de ajuste ou chaves inglesas antes de ligar a ferramenta elétrica.** Uma chave ou uma chave inglesa que se encontre junto de uma peça da ferramenta elétrica em movimento poderá originar danos corporais.
- **Evite uma posição incorreta. Mantenha sempre o equilíbrio e uma posição firme.** Desta maneira, é mais fácil controlar a ferramenta elétrica em situações inesperadas.
- **Use roupa adequada. Não use roupa larga nem joias. Mantenha o cabelo e as roupas afastadas de peças em movimento.** As roupas largas, o cabelo comprido ou as joias podem ficar presos em peças em movimento.
- **Certifique-se de que os dispositivos que forem fornecidos para a extração de pó e para as instalações de recolha estão ligados e são usados de maneira adequada.** O uso de um aparelho de extração de pó pode reduzir os perigos relacionados com pó.
- **A familiaridade resultante do manuseamento frequente das ferramentas não deverá permitir que se torne indiferente e que ignore as instruções de segurança das ferramentas.** Uma distração de uma fração de segundos pode causar ferimentos graves.

CUIDADOS AO MANUSEAR FERRAMENTAS ELÉTRICAS

- **Não force a ferramenta elétrica. Use a ferramenta elétrica adequada para cada situação.** A ferramenta apropriada fará um trabalho melhor e mais seguro, de acordo com o fim a que se destina.
- **Não use uma ferramenta elétrica com um interruptor defeituoso.** Qualquer ferramenta elétrica com um interruptor defeituoso

representa um perigo e deve ser reparada.

- **Se for removível, desligue a ficha da fonte de alimentação e/ou do conjunto de baterias da ferramenta elétrica antes de efetuar qualquer ajuste, de mudar acessórios ou de armazenar ferramentas elétricas.** Estas medidas de segurança reduzem o risco de arranque acidental da ferramenta elétrica.
- **Armazene as ferramentas elétricas inativas fora do alcance das crianças e não permita o uso de ferramentas elétricas por pessoas que não estejam familiarizadas com as mesmas ou que não tenham lido estas instruções.** As ferramentas elétricas são perigosas se forem usadas por pessoas inexperientes.
- **Efetue a manutenção das ferramentas elétricas e dos acessórios. Verifique se as peças em movimento estão desalinhadas, se existem peças partidas ou qualquer outra condição que possa afetar o funcionamento da ferramenta elétrica. Caso a ferramenta elétrica esteja danificada, deverá ser reparada antes de ser usada.** Muitos acidentes resultam de uma manutenção inadequada das ferramentas elétricas.
- **Mantenha as ferramentas de corte afiadas e limpas.** As ferramentas de corte com cantos de corte afiados encravam com menos frequência e podem ser controladas com maior facilidade se for efetuada uma manutenção adequada.
- **Use a ferramenta elétrica, os acessórios, as ferramentas e outros de acordo com estas instruções, tendo em consideração as condições de trabalho e a tarefa a ser efetuada.** O uso de ferramentas elétricas para operações diferentes das designadas pode resultar numa situação perigosa.
- **Mantenha os cabos e as superfícies secas, limpas e sem oleosidades.** As superfícies e os cabos escorregadios não permitem o controlo nem a manutenção segura da ferramenta em situações inesperadas.

ASSISTÊNCIA

- **Certifique-se de que a ferramenta elétrica é reparada apenas por pessoal qualificado e com peças de reposição originais.** Desta forma, é assegurado o funcionamento seguro da ferramenta elétrica.

- *Qualquer uso inadequado ou em desacordo com as instruções representa um perigo e anula a garantia e a responsabilidade do fabricante.*

INDICAÇÕES DE SEGURANÇA ADICIONAIS

- AVISO: Para evitar um sobreaquecimento, não cubra o aparelho.
- Certifique-se de que nem a entrada nem a saída de ar ficam total ou parcialmente tapadas por cortinas, roupas, entre outros, devido ao risco de incêndio.
- Não use o aparelho se este tiver a ficha ou o cabo danificado.
- Antes de ligar o aparelho, certifique-se de que a voltagem indicada no rótulo de classificação corresponde à voltagem da rede.
- Ligue o aparelho a uma caixa que possa suportar, no mínimo, 16 amperes.
- Use o aparelho apenas com o conector elétrico específico fornecido.
- Se algum dos revestimentos do aparelho se partir, desligue imediatamente o aparelho da tomada para evitar a possibilidade de sofrer um choque elétrico.
- Não use o aparelho se este tiver caído no chão e se existirem sinais visíveis de danos ou de fugas.
- AVISO: Não molhe o aparelho.
- AVISO: Não use o aparelho perto da água.
- Não use o aparelho com as mãos nem com os pés molhados ou descalços.
- Não enrole o cabo à volta do aparelho.
- Não corte nem dobre o cabo de alimentação.
- Não toque na ficha com as mãos molhadas.
- Não utilize a rebarbadora em materiais que contêm asbesto. Ao trabalhar com asbesto e/ou pedra de sílica, o pó criado é extremamente prejudicial para a saúde. Para prevenir a inalação deste tipo de pó, siga os regulamentos de saúde e segurança apropriados.
- Proteja-se do contacto com e da inalação de pó criado pelo lixamento de superfícies de madeira, de metal e pintadas. Utilize equipamento de proteção que cumpra os regulamentos de saúde e segurança.

- Tenha cuidado depois de premir o botão para parar a ferramenta, uma vez que a mesma irá continuar a mover-se devido à inércia mecânica.
- Antes de cada utilização, desenrole completamente o cabo de alimentação do aparelho.
- Verifique a posição dos cabos de alimentação antes de iniciar o trabalho, certificando-se de que estão suficientemente afastados da área de trabalho.
- Mantenha as mãos e outras partes do corpo afastadas da área de trabalho enquanto estiver a usar o aparelho.
- Não use o aparelho se os acessórios não estiverem devidamente instalados.
- Não use o aparelho se os acessórios ou consumíveis instalados apresentarem defeitos. Proceda imediatamente à respetiva substituição.
- Desligue o aparelho da tomada quando este não estiver a ser usado e antes de efetuar qualquer tarefa de limpeza.
- Este aparelho foi concebido apenas para uso doméstico e não para uso profissional nem industrial.
- Este aparelho foi concebido apenas para ser usado por adultos. Certifique-se de que este aparelho não é usado por pessoas portadoras de deficiência, por pessoas sem experiência nem por crianças.
- Este aparelho não é um brinquedo. As crianças devem ser vigiadas de maneira a garantir que não brincam com o aparelho.
- Não exponha o aparelho a temperaturas extremas.
- Não exponha o aparelho a temperaturas extremas nem a magnetismo forte.
- Mantenha o aparelho num local seco, sem pó e afastado da luz solar direta.
- Verifique sempre o aparelho antes do seu manuseamento e remova quaisquer obstruções, tais como pregos, agrafos, parafusos, fios, trapos, panos e outros detritos.
- Não coloque o aparelho pousado numa superfície enquanto estiver a ser utilizado.

- Deixe o aparelho em funcionamento durante 30 segundos sem carga e numa posição segura. Pare imediatamente o aparelho se verificar uma vibração considerável ou outra anomalia. Em seguida, verifique o problema e/ou proceda conforme está descrito na secção Anomalias e Reparação.
- O aparelho pode ser usado em superfícies tais como: madeira, cartão, plástico, gesso, entre outras.

DESCRIÇÃO

- A Interruptor de ligar/desligar
- B Placa de base
- C Reservatório de pó
- D Base em forma de dedo

Se o modelo do seu aparelho não tiver os acessórios descritos acima, os mesmos também poderão ser comprados em separado no Serviço de Assistência Técnica.

INSTRUÇÕES DE USO

ANTES DE USAR:

- Certifique-se de que retirou todo o material da embalagem.
- Antes de ligar o aparelho, certifique-se de que a voltagem indicada no rótulo de classificação corresponde à voltagem da rede.
- Assegure-se sempre de que a ferramenta não está ligada nem conectada à tomada antes de realizar qualquer trabalho na ferramenta.

INSTALAR OS ACESSÓRIOS

- Desligue o aparelho da rede elétrica.
- Pressione a folha de lixa contra o produto para que se unam através do sistema de fixação hook-and-loop.

INSTALAR A BASE EM FORMA DE DEDO (FIG. 1)

- Com a ajuda de uma chave de fendas, remova a cobertura frontal da placa de base e coloque a base em forma de dedo na mesma.
- Aperte o parafuso para fixá-la e coloque adequadamente a folha de lixa.

SISTEMA DE RECOLHA DE PÓ:

- Utilize sempre o aparelho com o aspirador de pó ligado. A inalação de pó é prejudicial para a saúde.
- Ligue o tubo do adaptador ao adaptador do reservatório de pó aspirado (F).
- Tenha cuidado para que este não caia ao mover o aparelho.
- Para retirar o reservatório, basta puxá-lo.

USO:

- Desenrole completamente o cabo antes de o ligar.
- Ligue o aparelho à rede elétrica.
- Coloque a folha de lixa.
- Ligue o aparelho acionando o interruptor de ligar/desligar.
- Coloque o aparelho em contacto com a superfície na qual pretende trabalhar.
- Mova lentamente o aparelho sobre a peça de trabalho.
- Não aplique pressão excessiva sobre a peça de trabalho.
- De maneira a aumentar o desempenho e a duração da lixadeira e da folha de lixa, pressione uniformemente sobre a peça de trabalho.

DEPOIS DE USAR O APARELHO:

- Pare o aparelho, utilizando o interruptor de ligar/desligar.
- Desligue o aparelho da rede elétrica.
- Limpe o aparelho.

MANUTENÇÃO E CONSERVAÇÃO

- **ATENÇÃO!** Antes de realizar qualquer trabalho na máquina, desligue-a sempre da alimentação.
- As aberturas de ventilação devem estar sempre limpas e desimpedidas.
- Limpe bem a máquina após cada utilização. Limpe o motor regularmente com ar comprimido.
- Verifique se o cabo de alimentação elétrica está em bom estado. Caso contrário, deve dirigir-se a um Centro de Assistência Oficial para que procedam à substituição do mesmo.

LIMPEZA

- Desligue o aparelho da tomada e deixe-o arrefecer antes de iniciar qualquer operação de limpeza.
- Limpe o equipamento com um pano húmido com algumas gotas de detergente e seque-o em seguida.
- Não use solventes nem produtos com um fator pH ácido ou básico, como a lixívia ou produtos abrasivos, para limpar o aparelho.
- Não deixe entrar água nem qualquer outro líquido pelas aberturas de ventilação, de maneira a evitar danos nas peças internas do aparelho.
- Nunca submerja o aparelho em água nem em qualquer outro líquido e não o coloque debaixo da torneira com água a correr.
- Se o aparelho não estiver limpo, a sua superfície poderá degradar-se e afetar de forma inevitável a duração de vida do aparelho tornando o respetivo uso perigoso.

CONSUMÍVEIS

- Use sempre consumíveis de origem, concebidos especificamente para o modelo do seu aparelho.
- Poderá adquirir este tipo de consumíveis em lojas especializadas.

ANOMALIAS E REPARAÇÃO

- Caso o aparelho esteja avariado ou caso surjam outros problemas, leve-o a um serviço de assistência técnica autorizado. Não tente desmontar nem reparar o aparelho sem assistência, uma vez que poderá ser perigoso.
- Se a ligação à tomada tiver sido danificada, deve ser substituída. Para tal, deverá levar o aparelho a um serviço de assistência técnica autorizado. Não tente desmontar nem reparar o aparelho sem assistência, uma vez que poderá ser perigoso.

CARACTERÍSTICAS:

- Potência nominal 75 W
- Tensão nominal 230 V~
- Frequência nominal 50 Hz

- Velocidade em vazio 11000 rpm
- Peso: 0,9 Kg
- Nível de pressão acústica (L_pA) = 58 dB(A), KpA = 3 dB
- Nível da potência acústica (L_wA) = 69 dB(A), KWA = 3dB
- Vibração= 3,15 m/s², K = 1,5 m/s²
- Nota importante: Estas características podem estar sujeitas a alterações sem aviso prévio, de forma a melhorar o produto.
- Nota importante: Em virtude das condições de fabrico deste produto, a potência máxima absorvida pode ser diferente da especificada.
- Nota importante: Em virtude das condições de fabrico deste produto, a potência máxima usada pode ser diferente da especificada.
- O nível de potência sonora foi determinado de acordo com a norma EN 62841-1.
- O nível de emissão de vibração nesta ficha de informação foi medido de acordo com a norma EN 62841-1 e poderá ser usado para comparar uma ferramenta com outra. Pode ser usado para uma avaliação preliminar de exposição.
- O valor de vibração durante o uso da ferramenta elétrica pode diferir do valor total declarado, dependendo da forma como a ferramenta é usada.
- É necessário identificar medidas de segurança para proteger o utilizador, medidas essas que se baseiam numa estimativa de exposição nas condições atuais de utilização (tendo em consideração todas as partes do ciclo de funcionamento, tais como os momentos em que a ferramenta está desligada e os momentos em que está em funcionamento inativo, bem como o tempo de arranque).

PARA PRODUTOS DA UNIÃO EUROPEIA E/OU CONFORME OS REQUISITOS DA REGULAMENTAÇÃO DO SEU PAÍS DE ORIGEM:

ECOLOGIA E RECICLABILIDADE DO PRODUTO

- Os materiais que constituem a embalagem deste aparelho estão integrados num sistema de recolha, classificação e reciclagem. Caso deseje desfazer-se dos mesmos, pode usar os contentores públicos apropriados para cada tipo de material.



Este símbolo significa que, se desejar desfazer-se do produto depois de terminada a sua vida útil, deve entregá-lo ao cuidado de um gestor de resíduos autorizado para a recolha seletiva de Resíduos de Equipamentos Elétricos e Eletrónicos (REEE).



Este símbolo significa que o utilizador deve ler atentamente as instruções e os avisos de segurança antes de usar o aparelho.



Este símbolo significa que a ferramenta pertence à Classe II.



DECLARAÇÃO DE CONFORMIDADE

- Declaramos sob a nossa única responsabilidade que os produtos marca CASALS descritos neste manual ÜÖÏ 5 estão em conformidade com as normas ou documentos normalizados seguintes: EN 62841-1, EN 62841-2-4:2014, EN 55014-1, EN 55014-2, EN 61000-3-2, EN 61000-3-3 e EN 62321 de acordo com as Diretivas da UE 2006/42/EC, 2014/30/EU e 2011/65/EU.

Assinado







Oliana, G 01000

Av. Barcelona, S/N

25790 Oliana, Lleida, Espanha

Ελληνικά


ΤΡΙΒΕΙΟ MOUSE

G8 75

Αγαπητέ πελάτη,

Ευχαριστούμε την εμπιστοσύνη σας στην CASALS POWER TOOLS. Χάρη στις αδιάκοπες προσπάθειές και τις καινοτομίες της, μαζί με το γεγονός ότι ξεπερνάει και τους πιο αυστηρούς ελέγχους ποιότητας, η CASALS POWER TOOLS κατασκευάζει δυνατά ηλεκτρικά εργαλεία για τις πιο σκληρές δουλειές.

ΓΕΝΙΚΕΣ ΥΠΟΔΕΙΞΕΙΣ ΑΣΦΑΛΕΙΑΣ ΓΙΑ ΗΛΕΚΤΡΙΚΑ ΕΡΓΑΛΕΙΑ

-  **ΠΡΟΕΙΔΟΠΟΙΗΣΗ** Διαβάστε όλες τις υποδείξεις ασφαλείας, τις οδηγίες, τις εικόνες και τις προδιαγραφές που παρέχονται με αυτό το ηλεκτρικό εργαλείο. Η μη τήρηση των οδηγιών που περιγράφονται παρακάτω μπορεί να προκαλέσει ηλεκτροπληξία, πυρκαγιά ή/και σοβαρούς τραυματισμούς
- Φυλάξτε όλες τις προειδοποιήσεις και τις οδηγίες για κάθε μελλοντική χρήση.
- Ο όρος «ηλεκτρικό εργαλείο» που χρησιμοποιείται στις προειδοποιητικές υποδείξεις αναφέρεται σε ηλεκτρικά εργαλεία που τροφοδοτούνται από το ηλεκτρικό δίκτυο (με ηλεκτρικό καλώδιο) καθώς και σε ηλεκτρικά εργαλεία που τροφοδοτούνται από μπαταρία (χωρίς ηλεκτρικό καλώδιο).

ΑΣΦΑΛΕΙΑ ΣΤΟΝ ΧΩΡΟ ΕΡΓΑΣΙΑΣ

- Διατηρείτε την περιοχή εργασίας σας καθαρή και καλά φωτισμένη. Σε χώρους που είναι ακατάστατοι και σκοτεινοί γίνονται περισσότερα ατυχήματα
- Μην χρησιμοποιείτε ηλεκτρικά εργαλεία σε περιβάλλον όπου υπάρχει κίνδυνος έκρηξης, στο οποίο υπάρχουν εύφλεκτα υγρά, αέρια ή σκόνης. Τα ηλεκτρικά εργαλεία δημιουργούν σπινθήρες, οι

- οποίοι μπορούν να αναφλέξουν τη σκόνη ή τις αναθυμιάσεις*
- *Όταν χρησιμοποιείτε το ηλεκτρικό εργαλείο, κρατάτε μακριά απ' αυτό τα παιδιά και άλλα παρευρισκόμενα άτομα. Σε περίπτωση απόσπασης της προσοχής σας, μπορεί να χάσετε τον έλεγχο της συσκευής.*

ΗΛΕΚΤΡΙΚΗ ΑΣΦΑΛΕΙΑ

- *Το βύσμα του ηλεκτρικού εργαλείου πρέπει να ταιριάζει στην πρίζα. Δεν επιτρέπεται με κανέναν τρόπο η μετατροπή του βύσματος. Μην χρησιμοποιείτε προσαρμογείς βύσματος με γειωμένα ηλεκτρικά εργαλεία. Τα αμεταποίητα βύσματα και οι κατάλληλες πρίζες μειώνουν τον κίνδυνο ηλεκτροπληξίας.*
- *Αποφεύγετε την επαφή του σώματός σας με γειωμένες επιφάνειες όπως σωλήνες, θερμαντικά σώματα (καλοριφέρ), κουζίνες και ψυγεία. Όταν το σώμα σας είναι γειωμένο, αυξάνεται ο κίνδυνος ηλεκτροπληξίας.*
- *Μην εκθέτετε τα ηλεκτρικά εργαλεία στη βροχή ή την υγρασία. Η διείσδυση νερού σε ένα ηλεκτρικό εργαλείο αυξάνει τον κίνδυνο ηλεκτροπληξίας.*
- *Μην κακομεταχειρίζεστε το ηλεκτρικό καλώδιο. Μην χρησιμοποιείτε ποτέ το ηλεκτρικό καλώδιο για να μεταφέρετε ή να αναρτήσετε το ηλεκτρικό εργαλείο, ή για να βγάλετε το βύσμα από την πρίζα. Κρατάτε το ηλεκτρικό καλώδιο μακριά από υπερβολικές θερμοκρασίες, αιχμηρές άκρες ή/και κινητά εξαρτήματα. Τα φθαρμένα ή περιπλεγμένα ηλεκτρικά καλώδια αυξάνουν τον κίνδυνο ηλεκτροπληξίας.*
- *Όταν εργάζεστε με το ηλεκτρικό εργαλείο σε εξωτερικό χώρο, χρησιμοποιείτε καλώδια επιμήκυνσης (μπυλιάντες) που είναι κατάλληλα για χρήση σε εξωτερικούς χώρους. Η χρήση κατάλληλων καλωδίων επιμήκυνσης για υπαίθριους χώρους μειώνει τον κίνδυνο ηλεκτροπληξίας.*
- *Όταν η χρήση του ηλεκτρικού εργαλείου σε υγρό περιβάλλον είναι αναπόφευκτη, τότε χρησιμοποιήστε διάταξη προστασίας ρεύματος διαρροής (RCD). Η χρήση διάταξης προστασίας ρεύματος διαρροής μειώνει τον κίνδυνο ηλεκτροπληξίας.*

ΠΡΟΣΩΠΙΚΗ ΑΣΦΑΛΕΙΑ

- Να είστε πάντα σε εγρήγορση, να εκτελείτε με προσοχή την εργασία σας και να χρησιμοποιείτε την κοινή λογική κατά τον χειρισμό του ηλεκτρικού εργαλείου. Μην χρησιμοποιείτε ηλεκτρικά εργαλεία όταν είστε κουρασμένος(-η) ή όταν βρίσκεστε υπό την επήρεια ναρκωτικών, αλκοόλ ή φαρμάκων. *Μια στιγμιαία απροσεξία κατά τον χειρισμό του ηλεκτρικού εργαλείου μπορεί να οδηγήσει σε σοβαρούς τραυματισμούς.*
- Φοράτε τα κατάλληλα μέσα ατομικής προστασίας. Να φοράτε πάντα προστατευτικά γυαλιά. Όταν φοράτε έναν κατάλληλο προστατευτικό εξοπλισμό όπως μάσκα προστασίας από σκόνη, αντιολισθητικά υποδήματα ασφαλείας, προστατευτικό κράνος ή ωτασπίδες, ανάλογα με το εκάστοτε εργαλείο και τη χρήση του, ελαττώνεται ο κίνδυνος τραυματισμών
- Αποφεύγετε την ακούσια ενεργοποίηση της συσκευής. Βεβαιωθείτε ότι το ηλεκτρικό εργαλείο έχει αποσυνδεθεί, πριν το συνδέσετε με το ηλεκτρικό δίκτυο ή με την μπαταρία καθώς και πριν το παραλάβετε ή το μεταφέρετε. *Μεταφέροντας το ηλεκτρικό εργαλείο με το δάχτυλό σας στον διακόπτη ή συνδέοντας το εργαλείο με την πηγή ρεύματος όταν ο διακόπτης στη θέση ενεργοποίησης, δημιουργείται κίνδυνος τραυματισμών.*
- Αφαιρείτε εργαλεία ρύθμισης και κλειδιά από το ηλεκτρικό εργαλείο, πριν το θέσετε σε λειτουργία. Ένα προσαρτημένο εργαλείο ρύθμισης ή κλειδί σε ένα περιστρεφόμενο τμήμα του ηλεκτρικού εργαλείου, μπορεί να οδηγήσει σε τραυματισμούς.
- Μην υπερεκτιμάτε τις δυνατότητές σας. Φροντίστε για την ασφαλή στάση του σώματός σας και διατηρείτε πάντοτε την ισορροπία σας. Έτσι μπορείτε να ελέγχετε καλύτερα το εργαλείο σε μη αναμενόμενες περιστάσεις.
- Φοράτε τα κατάλληλα ρούχα. Μην φοράτε φαρδιά ρούχα ή κοσμήματα. Κρατάτε τα μαλλιά και τα ρούχα σας μακριά από κινούμενα εξαρτήματα. Τα φαρδιά ρούχα, τα κοσμήματα ή τα μακριά μαλλιά μπορεί να πιαστούν στα κινούμενα εξαρτήματα.
- Όταν υπάρχει η δυνατότητα σύνδεσης διατάξεων αναρρόφησης ή συλλογής σκόνης, βεβαιωθείτε ότι αυτές συνδέονται και χρησιμοποιούνται σωστά. Η χρήση μιας

αναρρόφησης σκόνης μπορεί να ελαττώσει τον κίνδυνο που προκαλείται από τη σκόνη.

- **Μην εφησυχάζετε και μην αγνοείτε τις οδηγίες ασφαλείας λόγω της οικειότητας που θα αναπτύξετε από τη συχνή χρήση του εργαλείου. Μια απρόσεκτη ενέργεια μπορεί να οδηγήσει σε σοβαρό τραυματισμό σε κλάσματα του δευτερολέπτου.**

ΧΕΙΡΙΣΜΟΣ ΚΑΙ ΦΡΟΝΤΙΔΑ ΤΟΥ ΗΛΕΚΤΡΙΚΟΥ ΕΡΓΑΛΕΙΟΥ

- **Μην χειρίζεστε με δύναμη το ηλεκτρικό εργαλείο. Να χρησιμοποιείτε το κατάλληλο ηλεκτρικό εργαλείο για κάθε εφαρμογή. Η χρήση του κατάλληλου ηλεκτρικού εργαλείου εξασφαλίζει μια καλύτερη και ασφαλέστερη εργασία με την προβλεπόμενη ταχύτητα.**
- **Μην χρησιμοποιήσετε ποτέ ένα ηλεκτρικό εργαλείο που έχει χαλασμένο διακόπτη. Ένα ηλεκτρικό εργαλείο που δεν μπορείτε πλέον να το ελέγξετε με τον διακόπτη του, είναι επικίνδυνο και πρέπει να επισκευαστεί.**
- **Πριν πραγματοποιήσετε οποιαδήποτε ρύθμιση, αλλάξετε εξαρτήματα ή αποθηκεύσετε το εργαλείο, βγάλτε το βύσμα από την πρίζα ή/και αφαιρέστε την μπαταρία, εάν είναι αποσπώμενη. Εφαρμόζοντας αυτά τα μέτρα ασφαλείας, μειώνεται ο κίνδυνος ακούσιας ενεργοποίησης του ηλεκτρικού εργαλείου.**
- **Φυλάσσετε το ηλεκτρικό εργαλείο μακριά από παιδιά και μην επιτρέπετε σε άτομα που δεν είναι εξοικειωμένα με το εργαλείο ή με αυτές τις οδηγίες να χειρίζονται το ηλεκτρικό εργαλείο. Τα ηλεκτρικά εργαλεία είναι επικίνδυνα όταν χρησιμοποιούνται από μη εξοικειωμένα άτομα.**
- **Φροντίστε να συντηρείτε τα ηλεκτρικά εργαλεία και τα εξαρτήματά τους. Ελέγχετε για τυχόν λανθασμένη ευθυγράμμιση ή μπλοκάρισμα των κινούμενων εξαρτημάτων, σπάσιμο εξαρτημάτων ή οποιαδήποτε άλλη κατάσταση που μπορεί να επηρεάσει τον τρόπο λειτουργίας του ηλεκτρικού εργαλείου. Στείλτε αυτά τα χαλασμένα εξαρτήματα για επισκευή πριν τα επαναχρησιμοποιήσετε. Η κακή συντήρηση των ηλεκτρικών εργαλείων αποτελεί αιτία πολλών ατυχημάτων.**
- **Διατηρείτε τα εργαλεία κοπής αιχμηρά και καθαρά. Προσεκτικά συντηρημένα κοπτικά εργαλεία με αιχμηρά κοπτικά μέρη**

σφηνώνουν δυσκολότερα και οδηγούνται ευκολότερα.

- Χρησιμοποιείτε τα ηλεκτρικά εργαλεία, εξαρτήματα, τρυπάνια κτλ. σύμφωνα με τις παρούσες οδηγίες. Λαμβάνετε επίσης υπόψη σας τις εκάστοτε συνθήκες και την υπό εκτέλεση εργασία. Η χρήση ηλεκτρικών εργαλείων σε μη προβλεπόμενες εργασίες μπορεί να δημιουργήσει επικίνδυνες καταστάσεις.
- Διατηρείτε τις χειρολαβές και τις επιφάνειες συγκράτησης στεγνές, καθαρές και απαλλαγμένες από λάδια και γράσα. Οι ολισθηρές χειρολαβές και επιφάνειες συγκράτησης δεν επιτρέπουν τον ασφαλή χειρισμό και έλεγχο του εργαλείου σε αναπάντεχες συνθήκες.

ΣΕΡΒΙΣ

- Φροντίστε οι εργασίες σέρβις στο εργαλείο σας να πραγματοποιούνται από κατάλληλα καταρτισμένο τεχνικό, με γνήσια ανταλλακτικά. Έτσι εξασφαλίζετε τη διατήρηση της ασφάλειας του ηλεκτρικού εργαλείου.
- Οποιαδήποτε λανθασμένη ή μη σύμφωνη με τις οδηγίες χρήση της συσκευής μπορεί να είναι επικίνδυνη και ακυρώνει επίσης την εγγύηση και την ευθύνη του κατασκευαστή.

ΣΥΜΠΛΗΡΩΜΑΤΙΚΕΣ ΠΡΟΕΙΔΟΠΟΙΗΣΕΙΣ ΑΣΦΑΛΕΙΑΣ

- ΠΡΟΣΟΧΗ: Για να αποφευχθεί η υπερθέρμανση, μην καλύπτετε τη συσκευή.
- Βεβαιωθείτε ότι τόσο η είσοδος όσο και η έξοδος του αέρα δεν καλύπτονται πλήρως ή μερικώς από κουρτίνες, υφάσματα κτλ., καθώς έτσι αυξάνεται ο κίνδυνος πυρκαγιάς.
- Μην χρησιμοποιείτε τη συσκευή όταν έχει φθαρεί το καλώδιο ή το βύσμα.
- Πριν συνδέσετε τη συσκευή στο δίκτυο, βεβαιωθείτε ότι η τάση που υποδεικνύεται στην πλακέτα χαρακτηριστικών ταιριάζει με την τάση του δικτύου.
- Συνδέστε τη συσκευή σε πρίζα με παροχή τουλάχιστον 16 ampere.
- Χρησιμοποιείτε τη συσκευή μόνο με τον παρεχόμενο ηλεκτρικό σύνδεσμο.
- Αν σπάσει κάποιο από τα περιβλήματα της συσκευής,

αποσυνδέστε αμέσως τη συσκευή από την πρίζα για να αποφύγετε πιθανή ηλεκτροπληξία.

- Μην χρησιμοποιείτε τη συσκευή εάν έχει πέσει, εάν υπάρχουν ορατά σημάδια ζημιάς ή εάν υπάρχει διαρροή.
- ΠΡΟΣΟΧΗ: Διατηρείτε στεγνή τη συσκευή.
- ΠΡΟΣΟΧΗ: Μην χρησιμοποιείτε τη συσκευή κοντά σε νερό.
- Μην χρησιμοποιείτε τη συσκευή με βρεγμένα χέρια ή πόδια, ή όντας ξυπόλυτος(-η).
- Μην τυλίγετε το ηλεκτρικό καλώδιο σύνδεσης γύρω από τη συσκευή.
- Μην κόβετε και μην τσακίζετε το ηλεκτρικό καλώδιο.
- Μην αγγίζετε το βύσμα με βρεγμένα χέρια.
- Μη λειάνετε οποιοδήποτε υλικό περιέχει αμίαντο. Εργαζόμενοι με αμίαντο και/ή τροχό πυριτίου, η σκόνη που δημιουργείται είναι επιβλαβή για την υγεία. Αποφύγετε την εισπνοή αυτών των τύπων σκόνης ακολουθώντας τους ενδεδειγμένους κανονισμούς υγείας και ασφάλειας.
- Προστατέψτε τον εαυτό σας από την επαφή με και την εισπνοή σκόνης η οποία δημιουργείται από την λείανση ξύλινων και μεταλλικών επιφανειών και επιφανειών που είναι επικαλυμμένες με βαφή που περιέχει υδράργυρο. Χρησιμοποιήστε προστατευτικό εξοπλισμό που συμμορφώνεται με τους ενδεδειγμένους κανονισμούς υγείας και ασφαλείας.
- Δώστε ιδιαίτερη προσοχή όταν κάνετε διακοπή της λειτουργίας της συσκευής καθώς το εργαλείο συνεχίζει να κινείται υπό την επήρεια της δικής του μηχανικής αδράνειας.
- Πριν από κάθε χρήση, ξετυλίξτε εντελώς το καλώδιο τροφοδοσίας της συσκευής.
- Ελέγξτε τη θέση των καλωδίων τροφοδοσίας πριν από την έναρξη της εργασίας, φροντίζοντας να είναι αρκετά μακριά τα καλώδια από την περιοχή εργασίας.
- Κατά τη χρήση της συσκευής, να κρατάτε τα χέρια και τα υπόλοιπα μέρη του σώματός σας μακριά από τον χώρο εργασίας.
- Μην χρησιμοποιείτε τη συσκευή εάν τα εξαρτήματά της δεν έχουν συνδεθεί σωστά.

- Μην χρησιμοποιείτε τη συσκευή εάν τα εξαρτήματα ή τα αναλώσιμά της είναι ελαττωματικά. Αντικαταστήστε τα αμέσως.
- Αποσυνδέστε τη συσκευή από την πρίζα όταν δεν τη χρησιμοποιείτε και πριν ξεκινήσετε οποιαδήποτε ενέργεια καθαρισμού.
- Η συσκευή αυτή προορίζεται μόνο για οικιακή και όχι επαγγελματική ή βιομηχανική χρήση.
- Η συσκευή αυτή προορίζεται για χρήση μόνο από ενήλικες. Βεβαιωθείτε ότι το προϊόν αυτό δεν χρησιμοποιείται από άτομα με ειδικές ανάγκες, παιδιά ή άτομα που δεν είναι εξοικειωμένα με τον χειρισμό του.
- Η συσκευή αυτή δεν είναι παιχνίδι. Τα παιδιά θα πρέπει να επιβλέπονται ώστε να είστε σίγουροι πως δεν παίζουν με τη συσκευή.
- Η συσκευή δεν πρέπει να εκτίθεται σε ακραίες θερμοκρασίες.
- Αποφύγετε την έκθεση σε ακραίες θερμοκρασίες ή ισχυρό μαγνητισμό.
- Η συσκευή πρέπει να φυλάσσεται σε στεγνό μέρος, χωρίς σκόνη και μακριά από το ηλιακό φως.
- Να ελέγχετε πάντα το κομμάτι στο οποίο πρόκειται να εργαστείτε πριν από τη χρήση και να αφαιρείτε τυχόν εμπόδια, όπως καρφιά, συρραπτικά, βίδες, νήματα, ράκη, υφάσματα και άλλα υπολείμματα.
- Μην ακουμπάτε τη συσκευή σε οποιαδήποτε επιφάνεια όταν τη χρησιμοποιείτε.
- Αφήστε τη συσκευή σε λειτουργία χωρίς φορτίο για 30 δευτερόλεπτα σε μια θέση ασφαλή. Εάν παρατηρήσετε σημαντικούς κραδασμούς ή άλλες βλάβες, σταματήστε αμέσως τη συσκευή. Στην περίπτωση αυτή, ελέγξτε το πρόβλημα ή/ και προχωρήστε όπως περιγράφεται στην ενότητα «Βλάβες και Επισκευές».
- Η συσκευή μπορεί να χρησιμοποιηθεί σε επιφάνειες όπως ξύλο, χαρτόνι, πλαστικό, γύψος κτλ.

ΠΕΡΙΓΡΑΦΗ

- A Διακόπτης ενεργοποίησης/απενεργοποίησης (On/Off)
- B Βάση
- C Δοχείο σκόνης
- D Βάση 'Δακτύλου'

Εάν το μοντέλο της συσκευής σας δεν διαθέτει τα εξαρτήματα που περιγράφονται παραπάνω, μπορείτε να τα αγοράσετε ξεχωριστά από την υπηρεσία τεχνικής βοήθειας.

ΟΔΗΓΙΕΣ ΧΡΗΣΗΣ

ΣΗΜΕΙΩΣΕΙΣ ΠΡΙΝ ΤΗ ΧΡΗΣΗ:

- Βεβαιωθείτε ότι έχετε αφαιρέσει όλα τα υλικά συσκευασίας του προϊόντος.
- Πριν συνδέσετε τη συσκευή στο δίκτυο, βεβαιωθείτε ότι η τάση που υποδεικνύεται στην πλακέτα χαρακτηριστικών ταιριάζει με την τάση του δικτύου.
- Πριν εκτελέσετε οποιαδήποτε εργασία στο εργαλείο βεβαιωθείτε ότι αυτό είναι απενεργοποιημένο και ότι το έχετε βγάλει από την πρίζα.

ΤΟΠΟΘΕΤΗΣΗ ΕΞΑΡΤΗΜΑΤΩΝ

- Αποσυνδέστε τη συσκευή από την πρίζα.
- Σπρώξτε το γυαλόχαρτο και περάστε πάνω στο προϊόν, συγκρατούνται με το σύστημα ταινίας velcro.

ΤΟΠΟΘΕΤΗΣΗ ΤΗΣ ΒΑΣΗΣ "ΔΑΚΤΥΛΟΥ" (ΕΙΚ.1)

- Με τη βοήθεια κατασαβιδιού, αφαιρέστε το μπροστινό κάλυμμα της βάσης και τοποθετήστε πάνω της τη βάση "δακτύλου".
- Σφίξτε τη βίδα για να το στερεώσετε και τοποθετήστε ανάλογα το γυαλόχαρτο.

ΣΥΣΤΗΜΑ ΣΥΛΛΟΓΗΣ ΣΚΟΝΗΣ:

- Χρησιμοποιείτε πάντα τη συσκευή με το συλλέκτη σκόνης συνδεδεμένο. Η εισπνοή σκόνης είναι επικίνδυνη για την υγεία σας.
- Συνδέστε το στόμιο του προσαρμογέα στον προσαρμογέα του δοχείου απορρόφησης σκόνης (F).

- Βεβαιωθείτε ότι δεν θα πέσει κουνώντας τη συσκευή.
- Για να αφαιρέσετε το δοχείο σκόνης, απλά τραβήξτε το.

ΧΡΗΣΗ:

- Ξετυλίξτε το καλώδιο πλήρως πριν το τοποθετήσετε στην πρίζα.
- Συνδέστε τη συσκευή στο ηλεκτρικό δίκτυο.
- Συναρμολογήστε το γυαλόχαρτο.
- Ενεργοποιήστε τη συσκευή χρησιμοποιώντας το κουμπί on/off.
- Τοποθετήστε τη συσκευή πάνω στην επιφάνεια που θέλετε να εργαστείτε.
- Μετακινήστε αργά τη συσκευή πάνω στο τεμάχιο εργασίας.
- Μην ασκείτε υπερβολική πίεση πάνω στο τεμάχιο εργασίας.
- Εφαρμόζετε ομοιόμορφη πίεση λείανσης πάνω στο προς κατεργασία τεμάχιο ώστε να αυξήσετε την παραγωγικότητα και τη διάρκεια ζωής του τριβείου και του γυαλόχαρτου.

ΜΟΛΙΣ ΣΤΑΜΑΤΗΣΕΤΕ ΝΑ ΧΡΗΣΙΜΟΠΟΙΕΙΤΕ ΤΗ ΣΥΣΚΕΥΗ:

- Σταματήστε την συσκευή χρησιμοποιώντας τον διακόπτη on/off.
- Αποσυνδέστε τη συσκευή από την πρίζα.
- Καθαρίστε την συσκευή.

ΣΥΝΤΗΡΗΣΗ ΚΑΙ ΦΡΟΝΤΙΔΑ

- ΠΡΟΕΙΔΟΠΟΙΗΣΗ! Αποσυνδέετε πάντα τη συσκευή από την πρίζα πριν ξεκινήσετε οποιαδήποτε εργασία σε αυτή.
- Οι οπές εξαερισμού πρέπει να διατηρούνται καθαρές και χωρίς να φράσσονται.
- Καθαρίστε το μηχάνημα προσεκτικά μετά από κάθε χρήση. Καθαρίστε το μοτέρ τακτικά με φυσητήρα πεπιεσμένου αέρα.
- Ελέγξτε ότι το καλώδιο είναι σε καλή κατάσταση. Εάν δεν είναι, παραδώστε τον σε ένα επίσημο κέντρο εξυπηρέτησης για να το αντικαταστήσουν.

ΚΑΘΑΡΙΣΜΟΣ

- Αποσυνδέστε τη συσκευή από την πρίζα και αφήστε την να κρυώσει πριν ξεκινήσετε οποιαδήποτε διαδικασία καθαρισμού.

- Καθαρίστε τη συσκευή με ένα υγρό πανί με λίγες σταγόνες απορρυπαντικού και ύστερα στεγνώστε τη.
- Μην χρησιμοποιείτε διαλυτικά ή προϊόντα με όξινο ή βασικό pH όπως η χλωρίνη ή διαβρωτικά προϊόντα για τον καθαρισμό της συσκευής.
- Μην αφήσετε να μπει νερό ή άλλο υγρό στις οπές εξαερισμού για να αποφευχθούν φθορές στα εσωτερικά λειτουργικά μέρη της συσκευής.
- Μην βυθίζετε τη συσκευή σε νερό ή άλλο υγρό και μην την τοποθετείτε κάτω από τη βρύση.
- Εάν δεν διατηρείτε καθαρή τη συσκευή, η επιφάνειά της μπορεί να αλλοιωθεί με αποτέλεσμα να μειωθεί η διάρκεια ζωής της και να καταστεί μη ασφαλής για χρήση.

ΑΝΑΛΩΣΙΜΑ

- Να χρησιμοποιείτε πάντα αυθεντικά αναλώσιμα, σχεδιασμένα ειδικά για το μοντέλο της συσκευής σας.
- Μπορείτε να προμηθευτείτε αυτά τα αναλώσιμα από εξειδικευμένα καταστήματα.

ΔΥΣΛΕΙΤΟΥΡΓΙΕΣ ΚΑΙ ΕΠΙΣΚΕΥΗ

- Σε περίπτωση βλάβης ή άλλου προβλήματος, μεταφέρετε τη συσκευή σε εξουσιοδοτημένο κέντρο τεχνικής υποστήριξης. Μην επιχειρήσετε να αποσυναρμολογήσετε ή να επισκευάσετε τη συσκευή μόνοι σας, γιατί είναι επικίνδυνο.
- Εάν το βύσμα σύνδεσης με την πρίζα έχει φθαρεί, πρέπει να αντικατασταθεί. Μεταφέρετε τη συσκευή σε εξουσιοδοτημένο κέντρο τεχνικής υποστήριξης. Μην επιχειρήσετε να αποσυναρμολογήσετε ή να επισκευάσετε τη συσκευή μόνοι σας, για να αποφύγετε τους κινδύνους.

ΠΡΟΔΙΑΓΡΑΦΕΣ:

- Ονομαστική ισχύς 75 W
- Ονομαστική τάση 230 V~
- Ονομαστική συχνότητα 50 Hz
- Ταχύτητα χωρίς φορτίο 11000 σαλ

- Βάρος: 0,9 Kg
- Στάθμη ηχητικής πίεσης (LpA) = 58 dB(A), KpA = 3 dB
- Στάθμη ακουστικής ισχύος (LwA) = 69 dB(A), KwA = 3 dB
- Κραδασμοί= 3,15 m/s², K= 1,5 m/s²
- Σημείωση: Οι προδιαγραφές αυτές μπορεί να αλλάξουν χωρίς πρότερη ειδοποίηση για τους σκοπούς της βελτίωσης της συσκευής.
- Σημείωση: Η μέγιστη απορροφούμενη ισχύς μπορεί να διαφέρει σε σχέση με τις προδιαγραφές, ανάλογα με τις συνθήκες κατασκευής του προϊόντος.
- Σημείωση: Η μέγιστη χρησιμοποιούμενη ισχύς μπορεί να διαφέρει σε σχέση με τις προδιαγραφές, ανάλογα με τις συνθήκες κατασκευής του προϊόντος.
- Η ένταση του ήχου που μετρήθηκε καθορίστηκε σύμφωνα με το πρότυπο EN 62841-1
- Το επίπεδο εκπομπής κραδασμών που αναγράφεται σε αυτό το δελτίο πληροφοριών έχει μετρηθεί σύμφωνα με το πρότυπο EN 62841-1 και μπορεί να χρησιμοποιηθεί για τη σύγκριση του ενός εργαλείου με το άλλο. Μπορεί να χρησιμοποιηθεί για την προκαταρκτική εκτίμηση της έκθεσης
- Το επίπεδο των κραδασμών κατά τη διάρκεια της πραγματικής χρήσης του ηλεκτρικού εργαλείου μπορεί να διαφέρει από την τιμή των προδιαγραφών, ανάλογα με τον τρόπο χρήσης του εργαλείου.
- Είναι σημαντικό να προσδιορίζονται τα μέτρα ασφαλείας για την προστασία του χειριστή, με βάση την εκτίμηση της έκθεσης σε πραγματικές συνθήκες χρήσης (λαμβάνοντας υπόψη όλες τις φάσεις του κύκλου λειτουργίας, όπως οι περίοδοι κατά τις οποίες το εργαλείο είναι απενεργοποιημένο ή σε κατάσταση ρελαντί επιπροσθέτως του χρόνου ενεργοποίησης).

**ΓΙΑ ΕΚΔΟΣΕΙΣ ΠΡΟΪΟΝΤΩΝ ΤΗΣ ΕΥΡΩΠΑΪΚΗΣ ΕΝΩΣΗΣ Η/
ΚΑΙ ΣΕ ΠΕΡΙΠΤΩΣΗ ΠΟΥ ΚΑΤΙ ΤΕΤΟΙΟ ΑΠΑΙΤΕΙΤΑΙ ΑΠΟ ΤΗ
ΝΟΜΟΘΕΣΙΑ ΤΗΣ ΧΩΡΑΣ ΣΑΣ:
ΟΙΚΟΛΟΓΙΑ ΚΑΙ ΔΥΝΑΤΟΤΗΤΑ ΑΝΑΚΥΚΛΩΣΗΣ ΤΟΥ
ΠΡΟΪΟΝΤΟΣ**

- Τα υλικά από τα οποία αποτελείται η συσκευασία αυτής της συσκευής περιλαμβάνονται σε ένα σύστημα συλλογής,

ταξινόμησης και ανακύκλωσης. Σε περίπτωση που θέλετε να τα απορρίψετε, χρησιμοποιήστε τους αντίστοιχους κάδους ανακύκλωσης για κάθε τύπο υλικού.



Το σύμβολο αυτό σημαίνει πως εάν επιθυμείτε να απορρίψετε το προϊόν μετά το πέρας της διάρκειας ζωής του, θα πρέπει να το κάνετε με τον ενδεδειγμένο τρόπο μέσω ενός οργανισμού διαχείρισης αποβλήτων, εξουσιοδοτημένου για την επιλεκτική περισυλλογή αποβλήτων ηλεκτρικών και ηλεκτρονικών συσκευών (ΑΗΗΣ).



Το σύμβολο αυτό σημαίνει ότι ο χρήστης πρέπει να διαβάσει προσεκτικά τις προειδοποιήσεις και τις οδηγίες ασφαλείας πριν από τη χρήση.



Το σύμβολο αυτό σημαίνει πως το εργαλείο είναι κλάσης II

CE ΔΗΛΩΣΗ ΣΥΜΜΟΡΦΩΣΗΣ

- Με το παρόν δηλώνουμε, με δική μας ευθύνη, ότι τα προϊόντα CASALS όπως περιγράφονται σε αυτό το εγχειρίδιο VML75 συμφώνουν με τους ακόλουθους κανονισμούς ή έγγραφα κριτηρίων: EN 62841-1, EN 62841-2-4:2014, EN 55014-1, EN 55014-2, EN 61000-3-2, EN 61000-3-3 και EN 62321 σύμφωνα με τις οδηγίες της ΕΕ 2006/42/EC, 2014/30/EU και 2011/65/EU.

Υπογραφή

ΑΕΤ ΑΣΑ* ...

Á

Á

Á

Á

Á

Á

Á

Á

Á

Á

Á

Á

Oliana, G. H. F. J.

Av. Barcelona, S/N

25790 Oliana, Lleida, Spain

Български

ШЛИФОВЪЧНА МАШИНА ТИП “МИШКА”

G875

Уважаеми Клиенти,

Много Ви благодарим за доверието към CASALS POWER TOOLS.

Благодарение на своите непрекъснати усилия, нашите иновации и най-строгия контрол за качество, CASALS POWER TOOLS разработва Електрически Инструменти за най-трудните работни приложения.

ОБЩИ ПРЕДУПРЕЖДЕНИЯ ЗА БЕЗОПАСНОСТ НА ЕЛЕКТРИЧЕСКИ ИНСТРУМЕНТИ

- **⚠ ВНИМАНИЕ** Прочетете всички предупреждения за безопасност и всички инструкции, илюстрации и спецификации, предоставени с този електрически инструмент. *Неспазването на всички инструкции, изброени по-долу, може да доведе до токов удар, пожар и/или тежки наранявания*
- Запазете всички предупреждения и инструкции за бъдеща справка.
- Терминът “електрически инструмент” в предупрежденията, се отнася до вашия електрически захранен (със захранващ кабел) електрически инструмент или захранен с акумулаторна батерия (акумулаторен) електрически инструмент.

БЕЗОПАСНОСТ НА РАБОТНАТА ЗОНА

- Поддържайте работното място чисто и добре осветено. *Неподредените или недостатъчно осветените зони могат да бъдат причина за злополуки*

- Не работете с електрическите инструменти в експлозивни атмосфери, като при наличието на запалими течности, газове или прах. Електрическите инструменти създават искри, които могат да възпламенят прах и изпарения
- Дръжте децата и наблюдателите на безопасно разстояние, докато работите с електрическия инструмент. Отвлечането на внимание може да доведе до загуба на контрол.

ЕЛЕКТРИЧЕСКА БЕЗОПАСНОСТ

- Щепселът трябва да съответства на използвания контакт. Никога не променяйте щепсела по никакъв начин. Не използвайте адаптери за щепсел със заземени (със заземяване) електрически инструменти. Оригинални щепсели и съответстващите на тях контакти ще намалят риска от токов удар.
- Избягвайте контакт на тялото със заземените повърхности, като тръби, радиатори, кухненски печки и хладилници. Съществува увеличен риск от токов удар, ако тялото ви е в контакт със заземяване.
- Не излагайте електрическите инструменти на дъжд или условия на влага. Влизането на вода в уреда, ще увеличи риска от токов удар.
- Не злоупотребявайте с кабела. Никога не използвайте кабела за да носите, дърпате или изключвате електрическия инструмент. Пазете кабела на разстояние от нагриване, омасляване, остри ръбове или движещи се части. Повредените или оплетени кабели увеличават риска от токов удар.
- При работа на открито с електрически инструмент, използвайте само удължителен кабел, предназначен за употреба на открито. Използването на кабел, предназначен за употреба на открито, намалява риска от токов удар.
- Ако работата с електрическия инструмент във влажна среда е неизбежно, използвайте устройството за остатъчен ток (RCD) със защитено захранване. Употребата на RCD намалява риска от токов удар.

ЛИЧНА БЕЗОПАСНОСТ

- **Бъдете концентрирани, бъдете внимателни в действията си и използвайте здрав разум, когато работите с електрическия инструмент. Не използвайте електрическия инструмент, когато сте уморени или под въздействието на наркотици, алкохол или медикаменти. Момент на невнимание по време на работа с електрическия инструмент, може да доведе до сериозни наранявания.**
- **Използвайте средства за индивидуална защита. Винаги носете предпазни очила. Защитната екипировка, като маска против прах, неплъзгащи се безопасителни обувки, каска или средства за защита на слуха, използвани при конкретните условия, ще намалят риска от наранявания.**
- **Предотвратете неволно стартиране. Уверете се, че ключът е в позиция off (изкл.), преди да свържете източника на захранване и/или комплекта батерии, да хванете или носите инструмента. Носенето на електрическия инструмент, държейки пръста си върху пусковия прекъсвач или подаването на електричество на електрически инструменти, които имат пусков прекъсвач, води до инциденти.**
- **Отстранете ключа за регулиране или гаечния ключ, преди да включите електрическия инструмент. Оставянето на гаечен ключ или ключ за регулиране, закачен на въртящата се част, може да доведе до наранявания.**
- **Не надхвърляйте. Поддържайте правилна позиция на тялото и равновесие през цялото време. Това дава възможност за по-добър контрол на електрическите инструменти в неочаквани ситуации.**
- **Обличайте се подходящо. Не носете широки дрехи или бижута. Дръжте косата си и дрехите на разстояние от движещи се части. Широките дрехи, бижутата, дългите коси могат да бъдат захванати в движещите се части.**
- **Ако уредите са предразположени за свързване към система за извличане на прах и система за събиране, уверете се, че те са включени и се използват правилно. Използването на системи за събиране на прах може да намали**

рисковете свързани с наличие на прах.

- **Не позволявайте познаването на инструмента, в следствие на честата употреба да ви позволяват да станете уверени и да игнорирате принципите за безопасност.** *Невнимателно действие може да причини сериозни наранявания за части от секундата.*

УПОТРЕБА НА ЕЛЕКТРИЧЕСКИ ИНСТРУМЕНТ И ГРИЖИ

- **Не насилвайте електрическия инструмент. Използвайте правилния електрически инструмент за вашето приложение.** *Правилният електрически инструмент ще извърши работата по-добре и по-безопасно, при мощността, за която е проектиран.*
- **Не използвайте електрическия инструмент в случай, че пусковия прекъсвач не го включва и изключва.** *Всеки електрически инструмент, който не може да бъде контролиран чрез пусковия прекъсвач е опасен и трябва да бъде ремонтиран.*
- **Изключете щепсела от източника за захранване и/или комплекта батерии, ако се откача от електрическия инструмент, преди да извършите всякакъв вид настройки, смяна на аксесоари или да поставите на съхранение електрическите инструменти.** *Тези превантивни мерки за безопасност намаляват риска от случайно стартиране на електрическия инструмент.*
- **Съхранявайте електрическия инструмент далеч от достъпа на деца и не позволявайте на лица, които не са запознати с електрическия инструмент или с тези инструкции да работят с електрическия инструмент.** *Електрическите инструменти са опасни в ръцете на неопитни потребители.*
- **Поддържайте електрическите инструменти и аксесоари. Проверете за разместване или свързване на подвижните части, счупване на части и всички други условия, които могат да се отразят на работата на електрическия инструмент. Ако е повреден, ремонтирайте електрическия**

инструмент преди употреба. *Много злополуки се дължат на зле поддържани електрически инструменти.*

- **Поддържайте режещите инструменти остри и чисти.** *Добре поддържаните режещи инструменти с остри режещи ръбове оказват по-малко съпротивление и са по-лесни за управление.*
- **Използвайте електрическия инструмент и неговите аксесоари в съответствие с тези инструкции, като вземате предвид условията на труд и работата, която трябва да бъде извършена.** *Използването на електрическия инструмент за операции, различни от тези, по неговото предназначение, може да доведе до опасна ситуация.*
- **Поддържайте дръжките и повърхностите за хващане сухи, чисти и без наличие на масло и грес.** *Хлъзгавите дръжки и повърхности за хващане не позволяват безопасно манипулиране и контрол на инструмента в неочаквани ситуации.*

УСЛУГИ

- **Електрическият инструмент трябва да бъде ремонтиран от квалифициран техник, използвайки само идентични резервни части.** *Това ще гарантира, че безопасността на електрическия инструмент е запазена.*
- *Всяка злоупотреба или неспазване на инструкциите за употреба анулира гаранцията и освобождава производителя от отговорност.*

ДОПЪЛНИТЕЛНИ ПРЕДУПРЕЖДЕНИЯ ЗА БЕЗОПАСНОСТ

- **ВНИМАНИЕ:** С цел да се предотврати прегряване не покривайте уреда.
- Уверете се, че както достъпа на въздух, така и изхода не са изцяло или частично покрити от платнище, облекло и др., тъй като това увеличава риска от пожар.
- Не използвайте уреда, ако кабелът или щепселът е повреден.
- Уверете се, че напрежението, посочено на етикета съответства на напрежението в мрежата преди да включите уреда.
- Свържете уреда към контакт, който може да доставя най-малко 16 ампера.

- Използвайте уреда единствено със специалния предоставен електрически конектор.
- Ако някой от уредите прекъсва, веднага го изключете от електрическата мрежа, за да се предотврати възможността от токов удар.
- Не използвайте уреда, ако е паднал на пода, ако има видими признаци на повреда или при наличие на теч.
- ВНИМАНИЕ: Поддържайте уреда сух.
- ВНИМАНИЕ: Не използвайте уреда в близост до вода.
- Не използвайте уреда с мокри ръце или крака, или с боси крака.
- Не навивайте захранващия кабел около уреда.
- Не захващайте или не огъвайте захранващия кабел.
- Не докосвайте щепсела с мокри ръце.
- Да не се шлифуват материали, съдържащи азбест. - При работа с различни видове фин амиант/азбест и/или силициев камък, произведеният прах е изключително вредно за вашето здраве. Предотвратявайте вдишване на тези видове прах, следвайки съответните здравни изисквания и норми за безопасност.
- Пазете се от контакт с прах и от вдишването на прах, създаден от шлайфането на дървени и метални повърхности и повърхности, покрити с оловна боя. Използвайте предпазна екипировка, която отговаря на съответните правила за здраве и безопасност.
- Вземете предпазни мерки, след прилагане на операцията по спиране на уреда, тъй като инструментът ще продължи да се движи от ефекта на своята собствена механична инерция.
- Развивайте напълно захранващия кабел на уреда преди всяка употреба.
- Проверете позицията на захранващите кабели, преди да започнете работа, като се уверите, че те са далеч от зоната на работа.
- Дръжте ръцете и други части на тялото достатъчно далеч от зоната на работа, по време на работа с уреда.
- Не използвайте уреда, ако неговите аксесоари не са поставени

правилно.

- Не използвайте уреда, ако аксесоарите или консумативите, свързани с него, са дефектни. Заменете ги веднага.
- Изключете уреда от електрическата мрежа, когато той не се употребява и преди да предприемете операции по почистване.
- Този уред е предназначен за домашна употреба само, не е предназначен за професионални, промишлени нужди.
- Този уред е предназначен за употреба от възрастни лица. Уверете се, че този продукт не се използва от хора в неравностойно положение, деца или хора, не привикнали към неговата употреба.
- Този уред не е играчка. Децата трябва да бъдат наблюдавани, за да се гарантира, че те не си играят с този уред.
- Не излагайте уреда на екстремни температури.
- Не излагайте на екстремни температури или силен магнетизъм.
- Съхранявайте уреда на сухо място, без прах, далеч от пряка слънчева светлина.
- Винаги проверявайте детайла преди операция и отстранете всякакви препятствия, като пирони, скоби, винтове, връзки, парчета плат и други отломки.
- Никога не оставяйте устройството без надзор, докато е в употреба.
- Оставете уреда да работи без натоварване за 30 секунди в безопасна позиция. Ако забележите сериозни вибрации или други дефекти, спрете уреда незабавно. След това проверете проблема и/или действайте според указанията на параграф Аномалии и Ремонт.
- Уредът може да се използва върху повърхности като дърво, твърд картон, пластмаса, мазилка и др.

ОПИСАНИЕ

- A Превключвател ON/OFF
- B Основна плоча
- C Резервоар за прах
- D Основа 'Пръст'

Ако моделът на вашия уред няма аксесоарите, описани по-горе, те също така могат да бъдат закупени отделно от Отделът за техническо обслужване.

ИНСТРУКЦИИ ЗА ЕКСПЛОАТАЦИЯ

ПРЕДИ УПОТРЕБА:

- Уверете се, че цялата опаковка на продукта е била отстранена.
- Уверете се, че напрежението, посочено на етикета съответства на напрежението в мрежата преди да включите уреда.
- Винаги се уверявайте, че инструментът е изключен и кабелът е изключен от контакта, преди да извършвате операции по инструмента.

ПОСТАВЯНЕ НА АКСЕСОАРИТЕ

- Изключете уреда от мрежата.
- Натиснете шлифовъчния лист плътно до продукта, те се съединяват посредством система за закачане.

РЕГУЛИРАНЕ НА ОСНОВА 'ПРЪСТ' (ФИГ. 1)

- С помощта на отвертка, отстранете предния капак от основната плоча и поставете основата 'пръст' върху нея.
- Затегнете болта за да я фиксирате и поставете шлифовъчната хартия в съответствие.

СИСТЕМА ЗА СЪБИРАНЕ НА ПРАХ:

- Винаги използвайте уреда със свързан колектор за прах, вдишването на прах е вредно за вашето здраве.
- Свържете дюзата на адаптера към адаптера на резервоара за засмукване на прах (F).
- Уверете се, че той няма да падне при преместване на уреда.
- За да свалите резервоара, просто го избутайте.

УПОТРЕБА:

- Развийте кабела напълно, преди да го включите.
- Свържете уреда към мрежата.

- Поставете шлифовъчния Лист.
- Включете уреда посредством бутона on/off.
- Поставете уреда върху повърхността, която желаете да обработите.
- Бавно движете уреда върху обработвания детайл.
- Не оказвайте прекомерен натиск върху обработвания детайл.
- Прилагайте равномерен натиск върху обработвания детайл при шлифование, за да се увеличи производителността и работния живот на шлифовъчната машина и шлифовъчния лист.

СЛЕД КАТО СТЕ ПРИКЛЮЧИЛИ С УПОТРЕБАТА НА УРЕДА:

- Спрете уреда посредством бутон on/off.
- Изключете уреда от мрежата.
- Почистете уреда.

ПОДДЪРЖАНЕ И ГРИЖИ

- ПРЕДУПРЕЖДЕНИЕ! Винаги изключвайте машината от контакта, преди да извършвате намеса по нея.
- Вентилационните отвори трябва винаги да се поддържат чисти и освободени от препятствия.
- Почиствайте старателно машината след всяка употреба. Продухвайте мотора редовно със състен въздух.
- Проверете дали хранващият кабел е в добро състояние. Ако не е, занесете го в Официален Център за техническо обслужване за да бъде заменен.

ПОЧИСТВАНЕ

- Изключете уреда от електрическата мрежа и го оставете да се охлади, преди да предприемате операции по почистване.
- Почистете оборудването с влажна кърпа с няколко капки почистваща течност и след това подсушете.
- Не използвайте разтворители или продукти с киселина или рН основа, като белина или абразивни продукти за почистване на уреда.

- Не позволявайте вода или каквато и да е друга течност да попада във вентилационните отвори, за да се избегне увреждане на вътрешните части на уреда.
- Никога не потапяйте уреда във вода или друга течност, както и не го поставяйте под течаща вода.
- Ако уредът не е в добро състояние на чистота, повърхността му може да влоши и неизбежно това да се отрази на продължителността на експлоатационния живот на уреда и може да стане опасен за употреба.

ЗАХРАНВАНЕ

- Винаги използвайте оригинални консумативи, предназначени специално за вашия модел уред.
- Тези консумативи са налични в специализирани магазини.

АНОМАЛИИ И РЕМОТ

- Ако възникнат повреди или други проблеми, занесете уреда в оторизиран сервиз за техническа поддръжка. Не се опитвайте да го разглобявате или ремонтирате самостоятелно, тъй като това може да бъде опасно.
- Ако връзката към мрежата е била повредена, тя трябва да бъде заменена, занесете уреда в упълномощен център за техническа поддръжка. Не се опитвайте да разглобявате или ремонтирате уреда сами за да се избегнат ситуации на опасност.

СПЕЦИФИКАЦИИ:

- Номинална мощност 75 W
- Номинално напрежение 230 V~
- Номинална Честота 50 Hz
- Скорост при липса на натоварване 11000 rpm
- Тегло: 0,9 Kg
- Ниво на звуковото налягане (LpA) = 58 dB(A), KpA = 3 dB
- Ниво на звуковата мощност (LwA) = 69 dB(A), KWA = 3 dB
- Вибрация = 3,15 m/s², K = 1,5 m/s²

- Забележка: Тези характеристики подлежат на промяна без предизвестие с цел подобряване.
- Забележка: Поради условията на производство на този продукт, максималната консумирана мощност може да се различава от определената.
- Забележка: Поради условията на производство на този продукт, максималната употребена мощност може да се различава от определената.
- Измерено звуково ниво определено съгласно EN 62841-1.
- Нивото на емисия на вибрации дадено в този информационен лист е измерено съгласно EN 62841-1 и може да се използва за сравнение на един инструмент с друг. То може да се използва за предварителна оценка на експозицията
- Стойността на вибрация по време на действителната употреба на електрическия инструмент може да се различава от обявената обща стойност в зависимост от начина, по който се използва с дадения инструмент
- Необходимо е определянето на мерки за безопасност, за да се защити оператора, които се базират на оценка на експозицията в реалните условия на употреба (като се вземат предвид всички части на работния цикъл, както и времето, през което инструментът е изключен и когато той функционира на празен ход, в допълнение към времето за натискане на превключвателя).

ЗА ВЕРСИИТЕ НА ПРОДУКТИ НА ЕС И/ИЛИ В СЛУЧАЙ, ЧЕ СЕ ИЗИСКВА ВЪВ ВАШАТА ДЪРЖАВА: ЕКОЛОГИЯ И РЕЦИКЛИРАНЕ НА ПРОДУКТА

- Материалите, от които се състои опаковката на този уред са включени в система за събиране, класифициране и рециклиране. Ако желаете да ги изхвърлите, използвайте съответните обществени контейнери за смет за всеки отделен вид материал.



Този символ означава, че в случай, че желаете да изхвърлите продукта, след като неговия жизнен цикъл е приключил, занесете го в оторизиран център за отпадъци за разделното събиране на Отпадъци от Електрическо и Електронно Оборудване (WEEE).



Този символ означава, че потребителят трябва да консултира изцяло предупрежденията за безопасност и инструкциите преди употреба.



Този символ означава, че този инструмент е от клас II

CE ДЕКЛАРАЦИЯ ЗА СЪОТВЕТСТВИЕ

- Ние декларираме, под нашата собствена отговорност, че продуктите CASALS, описани в това ръководство VML75, отговарят на следните стандарти: EN 62841-1, EN 62841-2-4:2014, EN 55014-1, EN 55014-2, EN 61000-3-2, EN 61000-3-3 и EN 62321 в съответствие с Европейски Директиви 2006/42/EC, 2014/30/EU и 2011/65/EU.

Подписал

АЕТ ас



А А

А Ас а А [, ^ ! Á [[| • Ä

Олиана, 21 00000

Av. Barcelona, S/N

25790 Oliana, Lleida, Spain

| | |
|---|---|
| يعني هذا الرمز أنه يجب على المستخدم قراءة تحذيرات وتعليمات السلامة جيدًا قبل الاستخدام. |  |
| يعني هذا الرمز أن الأداة من الفئة الثانية. |  |

إعلان المطابقة **CE**

- نعلن بموجب هذا، وتحت مسؤوليتنا وحدنا، أن منتج SLASAC الموصوف في هذا الدليل OVL.MV يتوافق مع المعايير التالية: NE 1-14826 NE ,1-14826 NE و 4102-2-14826 NE و 1-41055 NE و 4-41055 NE و 2-3-00016 NE و 3-3-00016 NE و 12326 ووفقًا لتوجيهات الاتحاد الأوروبي رقم CE/٢٤/٦٠٠٢ و UE/٠٣/٤١٠٢ و UE/٥٦/١١٠٢.

الموقّعة

A.Martí Vergé

المديرة الهندسية لـ als Power Tools



Oliana, Av. Barcelona, s/n
25790 Oliana, Lleida, Spain
28/03/2019

- الجهاز بنفسك فقد يكون هذا خطيراً.
- في حالة تلف وصلة التوصيل بالكهرباء، فيجب استبدالها، بأخذ الجهاز إلى خدمة دعم فني مرخص. لا تحاول تفكيك أو إصلاح الجهاز بنفسك لتجنب الإصابات الخطيرة.

المواصفات:

- القدرة المقدرة ٥٧ وات
- الجهد الكهربائي المقدر ٠.٣٢ فولت تقريباً
- التردد المقدر ٥٠ هيرتز
- السرعة بدون حمل ٠٠٠١١ لفة في الدقيقة
- الوزن: ٩,٠ كجم
- مستوى ضغط الصوت (Apl) = ٨٥ ديسيبل (A)، كيلو باسكال = ٣ ديسيبل
- مستوى قدرة الصوت (Awl) = ٩٦ ديسيبل (A)، كيلو وات = ٣ ديسيبل
- الاهتزاز = ٥١,٣ متر/الثانية^٢، ٥,١ متر/الثانية^٢
- ملاحظة: تخضع هذه المواصفات للتغيير دون إخطار بغرض التحسين.
- ملاحظة: نظراً لظروف تصنيع هذا المنتج، فإن الحد الأقصى لاستيعاب الطاقة قد يختلف عن المذكور هنا.
- ملاحظة: نظراً لظروف تصنيع هذا المنتج، فإن الحد الأقصى من الطاقة المستخدمة قد يختلف عن المذكور هنا.
- يتم تحديد مستوى الصوت المقاس بالتوافق مع معايير NE ١٤٨٢٦-١.
- تم قياس مستوى انبعاث الاهتزاز المذكور في ورقة المعلومات هذه بالتوافق مع معايير NE ١٤٨٢٦-١، ويمكن استخدامه لمقارنة أداة واحدة بأخرى. ويمكن استخدامه لإجراء تقييم أولى للتعرض
- قد تختلف قيمة الاهتزاز أثناء الاستخدام الفعلي لأداة الطاقة عن القيمة الإجمالية المعلنة وذلك بناءً على طريقة استخدام الأداة.
- من الضروري تحديد تدابير السلامة لحماية المشغل بالاعتماد على تقدير التعرض في ظروف الاستخدام الفعلية (مع الأخذ في الاعتبار جميع ما يتعلق بدورة التشغيل مثل الأوقات التي يتم فيها إيقاف تشغيل الأداة وأوقات توقفها عن العمل إضافة إلى وقت تشغيلها).

للحصول على إصدارات الاتحاد الأوروبي من المنتج وأو في حالة طلب ذلك في بلدك:

- البيئة وإمكانية إعادة تدوير المنتج
- المواد المستخدمة في تعبئة وتغليف هذا الجهاز مدرجة في نظام جمع وتصنيف وإعادة تدوير. إذا كنت ترغب في التخلص منها، استخدم صناديق إعادة التدوير العامة المناسبة لكل نوع من المواد.

يعني هذا الرمز أنه في حالة رغبتك في التخلص من المنتج عند انتهاء عمره الافتراضي أنه يتعين عليك أخذه إلى وكيل مخلفات معتمد للجمع الانتقائي لمخلفات المعدات الكهربائية والإلكترونية (EEEW).



- تأكد من أنها لن تسقط عند تحريك الجهاز.
- لإزالة الخزان، فقط قم بنزعه.

الاستخدام:

- يتم فرد الكابل بشكل كامل قبل توصيل التيار الكهربائي.
- وصل الجهاز بمصدر التيار الكهربائي.
- يتم تجميع فرخ السفرة.
- يتم توصيل التيار بالمعدة، باستخدام زر توصيل التيار/فصل التيار.
- ضع الجهاز مقابل السطح المطلوب العمل عليه.
- يتم تحريك المعدة ببطء فوق قطعة التشغيل.
- لا تقم بالضغط على قطعة التشغيل. بصورة زائدة.
- يتم العمل بضغط متساو في سفرة قطعة التشغيل من أجل زيادة عمر الأداء والتشغيل لماكينته السفرة وفرخ السفرة.
- عند الانتهاء من استعمال الجهاز، قم بما يلي:
- وقف تشغيل المعدة باستخدام مفتاح توصيل التيار/فصل التيار.
- افصل الجهاز من مصدر التيار الكهربائي.
- تنظيف الجهاز.

الصيانة والعناية

- تحذير! يجب أن يتم فصل الماكينة عن مصدر الطاقة قبل إجراء أي عمل فيها.
- المحافظة على فتحات التهوية سالكة ونظيفة.
- تنظيف الماكينة بشكل متقن بعد استعمالها. يتم تنظيف الموتور بواسطة الهواء المضغوط بشكل منظم.
- تأكد من أن سلك مصدر التيار الرئيسي في حالة جيدة، إذا كان بحالة غير جيدة، فتوجه بالآلة إلى مركز الخدمة الرسمي من أجل استبداله.

التنظيف

- افصل الجهاز من مصدر التيار واتركه يبرد قبل الشروع في أي عملية تنظيف.
- نظف الجهاز بقطعة قماش مبللة مع بضع قطرات من المنظف السائل وجففه بعد ذلك.
- يمنع استخدام أي نوع من أنواع المذيبات ولا أي منتج يحتوي على عنصر حمضي أو قاعدي مثل المبيضات أو أي منتجات حاكة أو كاشطة لتنظيف الجهاز.
- لا تسمح للمياه أو سائل آخر بالدخول في فتحات التهوية لتجنب إتلاف الأجزاء الداخلية للجهاز.
- تجنب تمامًا وضع الجهاز في الماء أو أي سائل آخر أو وضعه تحت ماء الصنبور.
- إذا لم يتم المحافظة على نظافة الجهاز، فإن سطحه قد يتحلل ويؤثر بشكل سلبي على مدة صلاحية الجهاز مما قد يجعله غير آمن للاستخدام.

اللوازم

- استخدم دائماً اللوازم الأصلية، المصممة خصيصاً لطراز الجهاز الخاص بك.
- تتوفر هذه اللوازم في المتاجر المتخصصة.
- الأعطال والإصلاح
- خذ الجهاز إلى خدمة دعم فني معتمدة في حالة تعرض المنتج للتلف أو حدوث مشكلة أخرى. لا تحاول تفكيك أو إصلاح

- أو الأشخاص غير المعتادين على التعامل معه.
- هذا الجهاز ليس لعبة. يجب مراقبة الأطفال لكي لا يعثبوا بهذا الجهاز.
- لا تعرض الجهاز لدرجات حرارة مفرطة.
- لا تعرضه لدرجات حرارة عالية أو مغناطيسية قوية.
- احفظ الجهاز في مكان جاف وخال من الغبار، وبعيداً عن ضوء الشمس.
- افحص دائماً قطعة العمل قبل تشغيلها وقم بإزالة أي عوائق مثل المسامير والدبابيس والبراغي والخيوط والخرق وقطع القماش وغيرها من بقايا الحطام الصغيرة.
- لا تترك الجهاز أبداً داخل السطح أثناء الاستخدام.
- اترك الجهاز في حالة تشغيل خلال ٣-٠ ثانية دون شحن وفي وضعية آمنة. قم بإيقاف الجهاز على الفور في حال حدوث اهتزاز كبير أو في حالة وجود أي عطل آخر. وفي هذه الحالة افحص العطل وقم بإصلاحه حسب الموضح في قسم الأعطال والإصلاح.
- يمكن استخدام الجهاز على أسطح مثل: الخشب والورق المقوى والبلاستيك والبلاستر، إلخ.
- وصف ومواصفات المنتج

الوصف

- A مفتاح التشغيل/الإيقاف
 - B لوحة القاعدة
 - C خزان الغبار
 - D قاعدة «الإصبع»
- إذا لم يكن موديل جهازك يحتوي على الملحقات المذكورة أعلاه، فيمكنك شرائها على حدة من «خدمة المساعدة الفنية».

طريقة الاستخدام

ملاحظات قبل الاستخدام:

- تأكد من إزالة مواد تغليف المنتج بالكامل.
- قبل توصيل الجهاز بالكهرباء، تأكد أن الجهد الكهربائي المشار إليه في ملصق تعليمات التشغيل متوافق مع الجهد الكهربائي في مصدر التيار.
- تأكد دائماً من أن الأداة على وضع وقف التشغيل ومفصولة عن مصدر الطاقة قبل تنفيذ أي أعمال تتعلق بالأداة.
- تركيب الملحقات
- أفضل الجهاز من مصدر التيار الكهربائي.
- اضغط على ورقة السنفرة لتكون في مواجهة المنتج، وسوف يلتصقوا من خلال نظام الأهداب والخطاطيف.
- تركيب قاعدة «الإصبع» (الشكل ١)
- باستخدام المفك، قم بإزالة الغطاء الأمامي للوحة القاعدة وضع قاعدة الإصبع عليها.
- قم بإحكام ربط البرغي لتثبيتها وضع ورقة السنفرة وفقاً لذلك.

نظام جمع الغبار:

- يتم دائماً استخدام المدة مع توصيل مجمع غبار بها، حيث أن استنشاق الغبار يضر بصحتك.
- قم بتوصيل فوهة القابس مهايئ خزان امتصاص الغبار (F).

الزلقة لا تسمح باستخدام الآمن للآلة والتحكم فيها.

الصيانة

- دغ مصلح مؤهل يقوم بإجراء الخدمة على الأداة الآلية الخاصة بك باستخدام قطع الغيار البديلة المطابقة فقط. سوف يؤدي ذلك إلى ضمان الحفاظ على سلامة الأداة الكهربائية.

- أي سوء استعمال، أو عدم التزام بتعليمات الاستعمال سيؤدي إلى إلغاء الضمان ويخلي المصنع من المسؤولية.

تحذيرات سلامة إضافية

- تنبيه: لتجنب ارتفاع درجة الحرارة، لا تقم بتغطية الجهاز.

- تأكد أن مدخل الهواء ومدخله غير مغطى كليًا أو جزئيًا بالقماش أو الملابس أو غير ذلك، حيث أن ذلك يزيد من خطر الحريق.

- لا تستخدم الجهاز إذا كان الكابل أو القابس تالفاً.

- قبل توصيل الجهاز بالكهرباء، تأكد أن الجهد الكهربائي المشار إليه في ملصق تعليمات التشغيل متوافق مع الجهد الكهربائي في مصدر التيار.

- قم بتوصيل الجهاز بمقبس يستطوع توفير قوة ٦٦ أمبير على الأقل.

- لا تستخدم الجهاز إلا مع الموصل الكهربائي المحدد المزود معه.

- في حالة تعرض الأغلفة الخارجية للجهاز للكسر، أفضل الجهاز من مصدر التيار فورًا لتجنب وقوع صدمة كهربائية.

- لا تستعمل الجهاز إذا وقع على الأرض أو عند ظهور علامات ضرر أو إذا كانت هناك تسربات.

- تنبيه: حافظ على الجهاز جافًا.

- تنبيه: لا تستعمل الجهاز بالقرب من الماء.

- لا تستخدم الجهاز ويدك أو قدمك رطبة أو عندما تكون حافي القدمين.

- لا تلف كابل الكهرباء حول الجهاز.

- تجنب لف الكابل حول الجهاز.

- لا تلمس القابض بأيدي مبللة.

- لا يتم صقل أية مادة تحتوي على معدن الأسبستوس. إن الغبار الناتج عن العمل باستخدام عجلة مصنوعة من الأسبستوس أو السليكا ضار بالصحة. يتم منع استنشاق هذه الأنواع من الغبار عن طريق اتباع أنظمة ولوائح الأمان والسلامة المناسبة والقواعد الصحية السليمة.

- قم بحماية نفسك من الغبار الناتج من عمليات سنفرة وتجليخ الأسطح الخشبية والمعدنية وكذا الأسطح المطلية بدهان يحتوي على عنصر الرصاص، ومن استنشاق مثل هذه الأنواع من الغبار. يتم استخدام معدات واقية مطابقة لأنظمة ولوائح الأمان والسلامة المناسبة والقواعد الصحية السليمة.

- يتم اتخاذ الاحتياطات المناسبة بعد القيام بعملية ووفق المعدة عن العمل، حيث أن الأداة سوف تستمر في الحركة بقوة الدفع الذاتي لها.

- يتم تخليص كابل التيار الكهربائي بشكل كامل قبل كل استخدام.

- تحقق من وضع الكابلات الكهربائية قبل بدء العمل وتأكد أنها بعيدة تمامًا عن منطقة العمل.

- أبعد الأيدي وأجزاء الجسم الأخرى تمامًا عن منطقة العمل أثناء استخدام الأداة.

- لا تستخدم الجهاز قبل تركيب جميع أجزائه بشكل جيد.

- لا تستخدم الجهاز إذا كانت الملحقات أو المواد المستهلكة الموصلة به معيبة. وقم باستبدالها على الفور.

- أفضل الجهاز من مصدر التيار عند عدم استخدامه قبل بدء أي عملية تنظيف له.

- هذا الجهاز لأغراض الاستخدام المنزلي فقط، وليس للاستخدام المهني أو الصناعي.

- تم تصميم هذا الجهاز لاستخدامه من قبل أشخاص بالغين. تأكد من عدم استخدام هذا المنتج من قبل المعاقين أو الأطفال

- يرجى توخي الحيلة والحذر ومراقبة ما تقوم بفعله والاستعانة بحسك السليم عند تشغيل أداة كهربائية. لا تقم باستخدام الأداة الآلية عندما تكون مرهقا أو تحت تأثير الكحول أو المخدرات أو الأدوية. يمكن أن تسبب لحظة من عدم الانتباه أثناء استعمال الأداة التعرض لإصابة خطيرة.

- قم بارتداء معدات الحماية الشخصية. قم دائماً بارتداء حماية للعين. استخدام المعدات الواقية مثل القناع الواقي من الغبار، أو أحذية السلامة المقاومة للانزلاق، أو قبعة صلبة للرأس، أو وسائل حماية السمع، الملائمة لظروف عملك، يحد من التعرض لإصابات شخصية.

- منع التشغيل غير المقصود. تأكد من إطفاء الأداة قبل وصلها بمصدر التيار الكهربائي و/أو البطاريات، وأثناء حمل أو نقل الأداة. يمكن أن يتسبب حمل الأداة الآلية وإصبعك على المفتاح أو وصل الأداة بالكهرباء عندما يكون مفتاح التشغيل على وضعية التشغيل في وقوع حوادث.

- قم بإبعاد مفاتيح الضبط أو الربط قبل تشغيل الأداة الآلية. يمكن أن يؤدي ترك مفتاح ضبط أو ربط متصلا بجزء متحرك من أجزاء أداة الطاقة إلى حدوث إصابة شخصية.

- لا تتجاوز ما هو مسموح به. حافظ على ثبات قدميك وتوازنك في كافة الأوقات. إن ذلك يمكن من تحقيق سيطرة أفضل على أداة الطاقة في المواقف غير المتوقعة.

- ارتدي الملابس المناسبة. لا ترتدي ثياباً واسعة أو مجوهرات. أبعد الشعر والثياب عن الأجزاء المتحركة. فقد تعلق الثياب الفضفاضة أو المجوهرات أو الشعر الطويل بالأجزاء المتحركة في الأداة.

- إن كانت الأدوات مزودة بوضلة لشفط الأتربة وتجهيزات التجميع، احرص على وصلها واستخدامها بشكل صحيح. من الممكن أن يؤدي جمع الغبار إلى الحد من المخاطر بالغبار.

- لا تدع اعتيادك على استخدام الأدوات يكون سبباً في تجاهلك لمبادئ السلامة الخاصة بالأداة. قد يؤدي السلوك الطائش إلى إصابة خطيرة خلال جزء من الثانية.

استخدام الأدوات الآلية وصيانتها

- لا تستخدم قوة مفرطة مع الأداة الكهربائية. استخدم الأداة الآلية المناسبة للعمل الذي تريد القيام به. الأداة الكهربائية الملائمة ستفقد المهام بشكل أفضل وأكثر أمان عند المستوى التي صممت من أجله.

- لا تستخدم الأداة الآلية إذا كان مفتاح التشغيل غير قادر على تشغيلها وإيقافها عن العمل. أي أداة طاقة لا يمكن التحكم فيها بواسطة المفتاح تكون أداة خطيرة ويجب أن يتم إصلاحها.

- افصل القابس من مصدر التيار الكهربائي و/أو اخرج البطارية من الأداة الآلية إذا كان يمكن إخراجها، قبل القيام بأي نوع من التعديلات أو تبديل الملحقات أو تخزين الأداة. إن مثل تلك الإجراءات الوقائية تحد من خطورة بدء تشغيل أداة الطاقة بشكل عارض.

- قم بتخزين الأدوات الآلية التي لا يتم استعمالها بعيداً عن متناول الأطفال ولا تسمح للأطفال الذين ليس لديهم دراية بهذه الأداة الآلية أو معرفة بهذه التعليمات بتشغيل الأداة الآلية. إن أدوات الطاقة تشكل خطراً بين أيدي غير المدربين على استخدامها.

- قم بصيانة الأداة الكهربائية وملحقاتها. يجب التأكد من عدم وجود خلل في ضبط الأجزاء المتحركة أو تكييلها أو كسور في أجزاء منها أو أية حالة أخرى يمكن أن تؤثر على عمل الأداة الآلية. إذا كانت الأداة الآلية متضررة، عليك إصلاحها قبل استخدامها من جديد. يرجع السبب في العديد من الحوادث إلى صيانة الأدوات الكهربائية بشكل رديء.

- حافظ على الأدوات القاطعة حادة ونظيفة. إن أدوات القطع التي يتم صيانتها بشكل جيد وتكون نصلها القاطعة حادة، تكون أقل عرضة للانحشار وأسهل في التحكم.

- استخدم الأداة الآلية والملحقات ولقم الأداة وما شابه ذلك طبقاً لهذه التعليمات، مع الأخذ في الاعتبار ظروف التشغيل والعمل المراد تنفيذها. قد يؤدي استعمال الأداة في أعمال غير تلك المخصصة لها إلى مواقف خطيرة.

- حافظ على المقابض وأسطح أماكن الإمساك جافة ونظيفة وخالية من الزيوت والشحوم. فالمقابض وأسطح أماكن الإمساك

ماكينة سنفرة esuoM

VML75

عميلنا العزيز،

نشكركم على الثقة في SLOOT REWOP SLASAC.

بفضل الجهود المتواصلة والابتكارات وضوابط الجودة الأكثر صرامة، تطور SLOOT REWOP SLASAC أدوات كهربائية للأعمال القاسية.

تحذير عام حول سلامة الأدوات الكهربائية

⚠️ تحذير: اقرأ جميع تحذيرات السلامة والتعليمات والرسوم التوضيحية والمواصفات المصاحبة لهذه الأداة الكهربائية. عدم الالتزام في إتباع كافة التعليمات المسببة أذناه قد يؤدي إلى حدوث الصعقة الكهربائية، نشوب الحريق، و/أو الإصابة الخطرة

- احتفظ بجميع التحذيرات والتعليمات للرجوع إليها في المستقبل.
- يشير مصطلح «أداة آلية» في التحذيرات إلى الأداة الكهربائية المتصلة بمصدر تيار رئيسي لديك (عن طريق السلك) أو الأداة الكهربائية الآلية التي تعمل بالبطارية (بدون سلك).

السلامة بمنطقه العمل

- حافظ على منطقة العمل نظيفة وبها إضاءة جيدة. تتسبب المناطق غير المرئية أو المظلمة بوقوع الحوادث
- لا تقم بتشغيل الأدوات الكهربائية في بيئة متفجرة، كوجود سوائل أو غازات قابلة للاشتعال، أو غبار. تطلق الأدوات الآلية شرر كهربائي يمكن أن يؤدي إلى إشعال البودرة أو الأبخرة
- احرص على إبقاء الأطفال والمارة بعيدا عند استعمال الأدوات الآلية. حالات تشتت الانتباه يمكن أن تؤدي إلى فقدان السيطرة.

السلامة الكهربائية

- يجب أن يتوافق قابس الأداة الآلية مع مقبس التيار المستخدم. لا تقم بتعديل القابس بأي طريقة كانت. لا تستخدم قوايس مهبانية مع الأدوات الآلية المزودة بتأريض. تقلل القوايس غير المعدلة ومقابس التيار الكهربائي المتطابقة من خطر التعرض لصدمة كهربائية.

- تجنب ملامسة الجسد للأسطح المؤرضة أو الموصلة بالأرض كالأنايب وشبكات التدفئة ومجالات الناقلية والثلاجات. تزداد خطورة التعرض لصدمة كهربائية إذا أصبح جسدك موصل تأريض أو لامس موصل أرضي.

- لا تقم بتعريض الأداة الآلية للمطر أو الأحوال الجوية المبللة. يؤدي دخول مياه في أداة من أدوات الطاقة إلى زيادة خطر التعرض لصدمة كهربائية.

- لا تقم بإساءة استخدام هذا الكابل. لا تستخدم السلك مطلقاً لحمل الأداة الآلية أو سحبها أو نزع السلك من القابس الكهربائي. أبعد السلك عن الحرارة أو الزيت أو الحواف الحادة أو الأجزاء المتحركة. ترفع الأسلاك التالفة أو المتشابكة من خطر التعرض لصدمة كهربائية.

- عند تشغيل الأداة الكهربائية خارج المنزل، استخدم كابل إطالة ملائم للاستخدامات خارج المنزل. يقلل استخدام كابل ملائم خارج المنزل من خطر التعرض لحدوث صدمة كهربائية.

- في حال اضطرت إلى استعمال الأداة الآلية في جو رطب، من الضروري أن تقوم بوصولها عبر (DCR) مصدر كهربائي مزود بقواطع حماية للأدوات التي تعمل بالتيار المتبقي. إن استخدام قاطع «DCR» يقلل من مخاطر التعرض لصدمة كهربائية.

السلامة الشخصية



Casals Power Tools, S.L.
Av. Barcelona, s/n · 25790
Oliana · Lleida · Spain